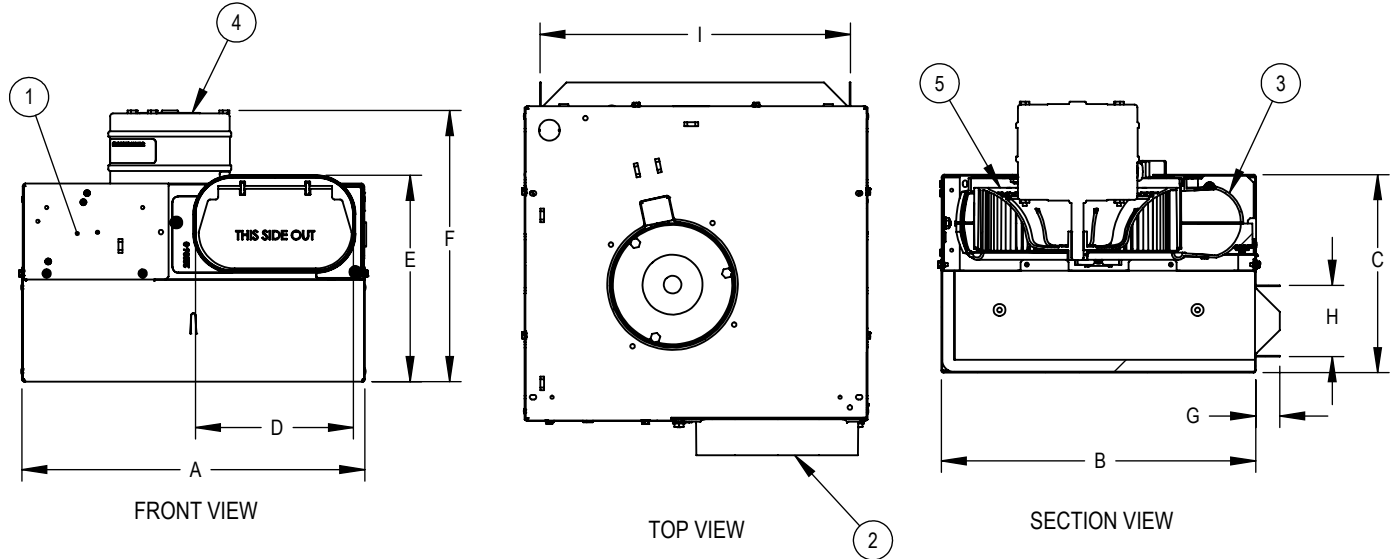




DATE: TAG:
 JOB:
 PROJECT:
 COMPANY:
 SALES PERSON:

PRINT DATE: 8/1/2017

ZEPHYR INLINE HORIZONTAL DISCHARGE UNIT (LD)



DIMENSIONAL DATA

A	B	C	D	E	F		G	H	I
14.29	13.10	8.25	6.73	8.59	26 W (1/28 HP)	8.25	1.00	2.97	12.94
					106 W (1/7 HP)	11.29			

ALL DIMENSION IN INCHES

LEGEND

- | | | |
|-------------------|----------|---------|
| 1 CASSETTE BOX | 3 SCROLL | 5 WHEEL |
| 2 CASSETTE OUTLET | 4 MOTOR | |

FEATURES

- PRECISION INLINE MOUNT EXHAUST FAN
- TOTALLY ENCLOSED EC MOTOR, DIRECT DRIVE
- SOUND LEVEL UNDER ONE SONE ON SELECT MODELS
- UL507, UL705, TUB AND SHOWER, AMCA SOUND AND AIR CERTIFIED
- CAPACITY FROM 100-500 CFM, 0-1" W.G.
- PRECISION-TUNED, ULTRA LIGHT WEIGHT CENTRIFUGAL WHEEL AND SCROLL
- OPTIMIZED INLET
- SPEED CONTROLLER AND DISCONNECT SWITCH ARE STANDARD

OPTIONS

- | | | |
|--|---|---|
| <ul style="list-style-type: none"> • OUTLET DUCT SIZE <ul style="list-style-type: none"> <input type="checkbox"/> 4 INCH <input type="checkbox"/> 6 INCH • ENERGY STAR® CERTIFIED <ul style="list-style-type: none"> <input type="checkbox"/> NONE <input type="checkbox"/> ENERGY STAR® • HORSE POWER <ul style="list-style-type: none"> <input type="checkbox"/> 26 W (1/28 HP) <input type="checkbox"/> 106 W (1/7 HP) • MOTION SENSOR <ul style="list-style-type: none"> <input type="checkbox"/> NONE <input type="checkbox"/> CEILING MOUNT <input type="checkbox"/> WALL MOUNT | <ul style="list-style-type: none"> • HUMIDITY SENSOR <ul style="list-style-type: none"> <input type="checkbox"/> NONE <input type="checkbox"/> HUMIDITY SENSOR • CURB CAP <ul style="list-style-type: none"> <input type="checkbox"/> NONE <input type="checkbox"/> CURB MOUNTED <input type="checkbox"/> FLAT ROOF <input type="checkbox"/> SLOPED ROOF <input type="checkbox"/> WALL MOUNT | <ul style="list-style-type: none"> • BRICK VENT <ul style="list-style-type: none"> <input type="checkbox"/> NONE <input type="checkbox"/> BRICK VENT • VIBRATION ISOLATION <ul style="list-style-type: none"> <input type="checkbox"/> NONE <input type="checkbox"/> RUBBER HANGER • MOUNTING <ul style="list-style-type: none"> <input type="checkbox"/> NONE <input type="checkbox"/> HOUSING BRACKET |
|--|---|---|

REVISION: B

FORM: 22032-0 LD-B

REPLACES: -