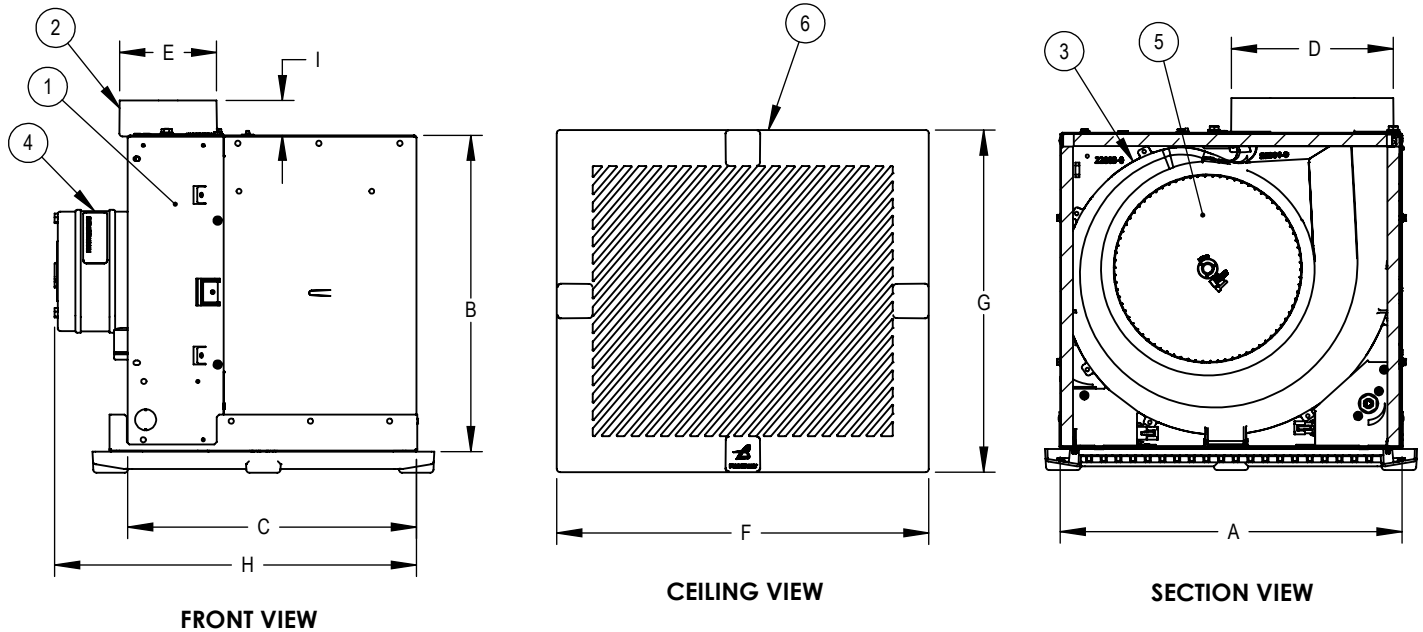


ZEPHYR CEILING CAVITY TOP DISCHARGE UNIT (CT)



DIMENSIONAL DATA

A	B	C	D	E	F	G	H		I
14.24	13.18	12.03	6.73	4.04	15.2	14.25	26 W (1/28 HP)	12.03	1.45
							106 W (1/7 HP)	15.1	

ALL DIMENSION IN INCHES

LEGEND

1 CASSETTE BOX	3 SCROLL	5 WHEEL
2 CASSETTE OUTLET	4 MOTOR	6 GRILLE

FEATURES

- PRECISION CEILING MOUNT EXHAUST FAN
- TOTALLY ENCLOSED EC MOTOR, DIRECT DRIVE
- SELECTION OF GRILLE DESIGNS
- UL507, UL706, TUB AND SHOWER, AMCA SOUND AND AIR CERTIFIED
- SOUND LEVEL UNDER ONE SONE ON SELECT MODELS
- CAPACITY FROM 100-500 CFM, 0-1" W.G.
- PRECISION-TUNED, ULTRA LIGHT WEIGHT CENTRIFUGAL WHEEL AND SCROLL
- OPTIMIZED INLET
- CEILING CASSETTE SERVICEABLE FROM INTERIOR
- SPEED CONTROLLER AND DISCONNECT SWITCH ARE STANDARD

OPTIONS

- | | | |
|--|--|--|
| <ul style="list-style-type: none"> • OUTLET DUCT SIZE <ul style="list-style-type: none"> <input type="checkbox"/> 4 INCH <input type="checkbox"/> 6 INCH • ENERGY STAR® CERTIFIED <ul style="list-style-type: none"> <input type="checkbox"/> NONE <input type="checkbox"/> ENERGY STAR® • HORSE POWER <ul style="list-style-type: none"> <input type="checkbox"/> 26 W (1/28 HP) <input type="checkbox"/> 106 W (1/7 HP) • MOTION SENSOR <ul style="list-style-type: none"> <input type="checkbox"/> NONE <input type="checkbox"/> CEILING MOUNT <input type="checkbox"/> WALL MOUNT • HUMIDITY SENSOR <ul style="list-style-type: none"> <input type="checkbox"/> NONE <input type="checkbox"/> HUMIDITY SENSOR | <ul style="list-style-type: none"> • GRILLE <ul style="list-style-type: none"> <input type="checkbox"/> NONE <input type="checkbox"/> FULL DIAGONAL <input type="checkbox"/> PATCHWORK DIAGONAL <input type="checkbox"/> ART DECO <input type="checkbox"/> PERFORATED METAL <input type="checkbox"/> LIGHTED PANEL LED 12 WATT <input type="checkbox"/> LIGHTED PANEL LED 26 WATT • AIR FILTER <ul style="list-style-type: none"> <input type="checkbox"/> NONE <input type="checkbox"/> WASHABLE AIR FILTER • DAMPER <ul style="list-style-type: none"> <input type="checkbox"/> NONE <input type="checkbox"/> CEILING RADIATION | <ul style="list-style-type: none"> • CURB CAP <ul style="list-style-type: none"> <input type="checkbox"/> NONE <input type="checkbox"/> CURB MOUNTED <input type="checkbox"/> FLAT ROOF <input type="checkbox"/> SLOPED ROOF <input type="checkbox"/> WALL MOUNT • BRICK VENT <ul style="list-style-type: none"> <input type="checkbox"/> NONE <input type="checkbox"/> BRICK VENT • VIBRATION ISOLATION <ul style="list-style-type: none"> <input type="checkbox"/> NONE <input type="checkbox"/> RUBBER HANGER • MOUNTING <ul style="list-style-type: none"> <input type="checkbox"/> NONE <input type="checkbox"/> HOUSING BRACKET |
|--|--|--|