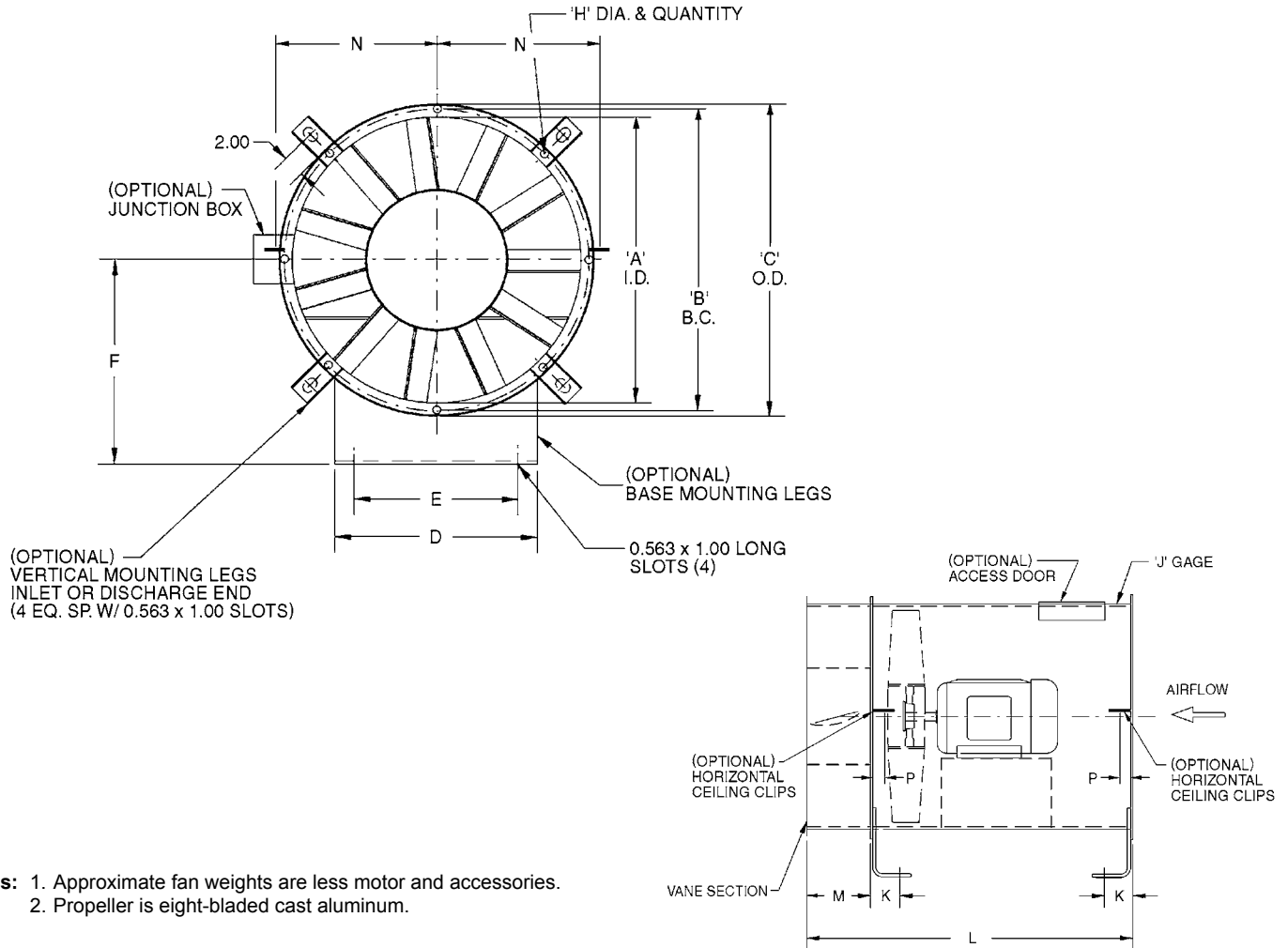


Vaneaxial Fan Direct Drive



- Notes:** 1. Approximate fan weights are less motor and accessories.
2. Propeller is eight-bladed cast aluminum.

Dimensional Data

Size	A	B	C	D	E	F	H	J	K	L - Mtr. Frame Size								M	N	P	Unit Weight	
										48-56	143-145	182-184	213-215	254-256	284-286	324-326	364-365					404-405
018	18.19	19.81	21.19	17.00	15.00	14.50	.438-8	12	1.71	23.63	23.63	29.63	29.63	—	—	—	—	—	5.63	10.16	3.10	130
021	21.22	22.97	24.22	20.00	18.00	16.00	.438-8	12	1.71	24.38	24.38	30.38	30.38	—	—	—	—	—	6.38	12.17	3.10	170
024	24.25	26.06	27.25	22.00	18.00	18.00	.438-8	12	1.71	31.38	31.38	31.38	31.38	37.38	—	—	—	—	7.38	13.69	3.10	250
030	30.31	32.19	33.31	29.00	25.00	21.50	.438-8	12	1.71	—	33.06	33.06	33.06	33.06	39.06	—	—	—	9.06	16.74	3.10	350
036	36.38	38.19	39.38	35.00	31.00	25.00	.438-16	10	1.73	—	35.13	35.13	35.13	41.13	47.13	47.13	—	—	11.13	19.75	3.13	600
042	42.44	44.81	46.44	40.00	36.00	29.00	.563-16	10	1.73	—	—	36.69	42.69	42.69	48.69	48.69	—	—	12.69	23.28	3.13	800
048	48.50	50.88	52.50	46.00	42.00	33.25	.563-16	10	1.73	—	—	38.50	44.50	44.50	50.50	50.50	50.50	—	14.50	26.31	3.13	1000
054	54.56	57.00	58.56	52.00	48.00	36.25	.563-16	7	1.78	—	—	—	—	52.31	52.31	58.31	58.31	64.31	16.31	29.38	3.18	1700
060	60.63	63.00	64.63	56.00	52.00	39.25	.563-16	7	1.78	—	—	—	—	54.31	54.31	60.31	60.31	66.31	18.31	32.38	3.18	2000



PENNBARRY™

1401 North Plano Road, Richardson, TX 75081
Ph: 972.234.3202 Fax: 972.497.0468
www.PennBarry.com

Submittal Sheet Vaneaxial Fan - Model VXD Direct Drive

This drawing illustrates our understanding of order requirements. When approved, it represents details for fabrication, as such, PennBarry will not be responsible for revisions in the field or other changes after release for fabrication. Published and protected by PennBarry, Richardson, TX. All rights reserved. May not be reproduced partially or in full without permission from the publisher. No rights conveyed to manufacture partially or in full, use or sell either the method of construction represented or any invention in any way related thereto.

Form ES-VXD
Revised March 2005