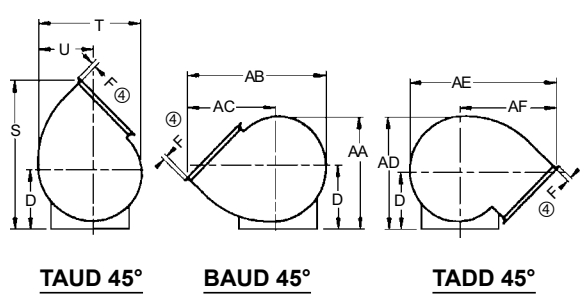
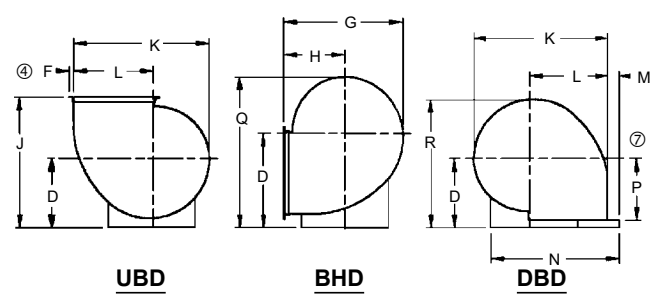
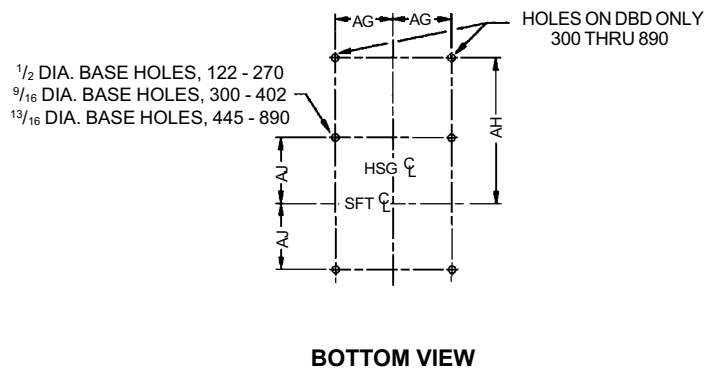
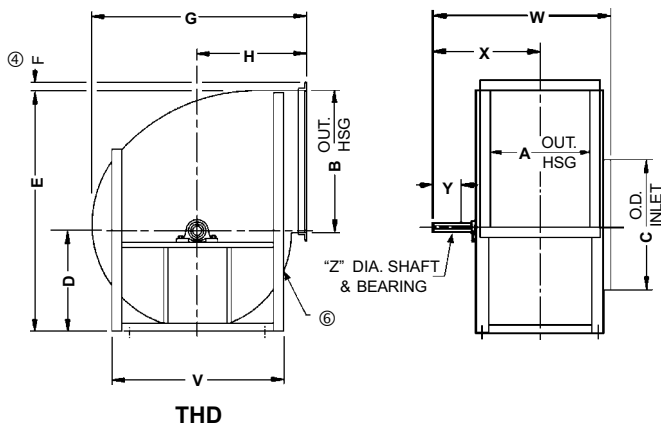


VCR

BI & AF - Arrangement 3, SWSI, Class I & II



Notes

1. CW rotation shown; CCW rotation similar but opposite.
2. AF available in sizes 182 through 890.
3. BI available in sizes 122 through 890.
4. Discharge angles standard on sizes 402 thru 890 only. (Hole punching optional on all sizes.)
5. On specific sales orders, see Fan Data Schedule for performance and accessory information.
6. On sizes 300 through 890, side bracing is steel angle as shown.
On sizes 122 through 270, side bracing is formed by 90 breaks in drive side plates and inlet side plates.
7. On DBD sizes 300 thru 890, discharge is extended to base.

<p>PENNBARRY™</p> <p>1401 North Plano Road, Richardson, TX 75081 Ph: 972.234.3202 Fax: 972.497.0468 www.PennBarry.com</p>	<p>Submittal Sheet</p> <p>VCR</p> <p>BI & AF</p> <p>Arrangement 3, SWSI, Class I & II</p>
--	---

This drawing illustrates our understanding of order requirements. When approved, it represents details for fabrication, as such, PennBarry will not be responsible for revisions in the field or other changes after release for fabrication. Published and protected by PennBarry, Richardson, TX. All rights reserved. May not be reproduced partially or in full without permission from the publisher. No rights conveyed to manufacture partially or in full, use or sell either the method of construction represented or any invention in any way related thereto.

VCR


BI & AF - Arrangement 3, SWSI, Class I & II cont.

Dimensional Data

Size	A	B	C	"D" Centerline of Fan							E	F	G	H	J	K	L	M	N	P	Q	R
				THD	UBD	BHD	DBD	TAUD	BAUD	TADD												
122	9 3/4	13	13 1/4	11 1/2	11 1/2	15	11 1/2	11 1/2	15	15	24 7/16	1 1/4	20 13/16	10 1/4	21 3/4	22 1/4	12 15/16	-	-	10 1/4	24 5/16	22 1/16
135	10 13/16	14 5/16	14 9/16	12 3/4	12 3/4	16 1/4	12 3/4	12 3/4	16 1/4	16 1/4	27	1 1/4	22 7/8	11 1/4	24	24 1/2	14 1/4	-	-	11 1/4	26 1/2	24 3/8
150	11 15/16	15 7/8	16 3/16	12 3/4	14	18	12 3/4	14	18	18	28 9/16	1 1/4	25 7/16	12 1/2	26 1/2	27 1/4	15 13/16	-	-	12 1/2	29 7/16	25 11/16
165	13 3/16	17 3/8	17 3/4	14	15 1/4	19 1/2	14	15 1/4	19 1/2	19 1/2	31 5/16	1 1/4	28	13 3/4	29	29 7/8	17 5/16	-	-	13 3/4	32 1/16	28 1/4
182	14 3/8	19 3/8	19 1/2	15	17	21 1/2	15	17	21 1/2	21 1/2	34 5/16	1 1/4	30 3/16	14 1/2	31 1/2	33 1/8	19 5/16	-	-	14 1/2	35 5/16	30 11/16
200	16	21 1/4	21 3/8	16 1/4	20	23 1/2	16 1/4	20	20	20	37 7/16	1 1/4	32 7/8	15 5/8	35 5/8	36 3/8	21 3/16	-	-	15 5/8	38 11/16	33 1/2
222	17 1/2	23 5/8	23 3/4	18	20 1/2	26	18	20 1/2	26	20 1/2	41 9/16	1 1/4	36 5/8	17 1/2	38	40 7/16	23 9/16	-	-	17 1/2	42 7/8	37 1/8
245	19 1/2	25 15/16	26 1/16	20	22 1/2	28	20	22 1/2	28	22 1/2	45 7/8	1 1/4	40 5/16	19 1/4	41 3/4	44 7/16	25 7/8	-	-	19 1/4	46 9/16	41 1/16
270	21 9/16	28 5/8	28 1/2	22	24 3/4	31	22	24 3/4	31	24 3/4	50 9/16	1 1/4	44 5/16	21 1/8	45 7/8	49	28 9/16	-	-	21 1/8	51 7/16	45 3/16
300	23 11/16	31 13/16	31 5/8	24	27	35	24	26	29 1/2	26	55 3/4	1 1/2	49 1/4	23 7/16	50 7/16	54 1/2	31 3/4	2 1/2	54 1/4	24	57 3/4	49 13/16
330	26 1/4	34 15/16	34 3/4	27	30	38	26 1/2	28 1/2	32 1/2	28	61 7/8	1 1/2	54 3/16	25 13/16	55 13/16	59 7/8	34 7/8	-	-	26 1/2	63	54 7/8
365	28 7/8	38 11/16	38 1/2	29 1/2	33 1/2	41	29	31 1/2	35 1/2	29 1/2	68 1/8	1 1/2	60 1/8	28 5/8	62 1/8	66 5/16	38 5/8	2 1/2	64 5/8	29	68 11/16	60 1/2
402	32 1/16	42 9/16	42 7/16	32 1/2	36 1/2	45 1/2	32	35	39 1/2	32	75	2	66 11/16	32	68 1/2	73 1/16	42 1/2	2 1/2	70 1/2	32	76 1/16	66 11/16
445	35 1/4	47 3/16	46 7/8	35 1/2	40	50	34	38	43	36	82 9/16	2	72 1/8	33 3/4	73 3/4	80 7/8	47 1/16	3 1/2	79 5/16	34	83 13/16	72 3/8
490	39	51 13/16	51 5/8	39	44	55	37 1/2	42	47	38	90 3/4	2	79 11/16	37 1/2	81 1/2	88 7/8	51 3/4	3 1/2	86 1/4	37	92 1/8	79 11/16
542	42 3/4	57 7/16	57 1/8	43 1/2	49	60	40 1/2	46	52	42	100 7/8	2	87 1/4	40 1/2	89 1/2	98 9/16	57 3/8	3 1/2	94 7/8	40 1/2	10 13/16	87 1/4
600	47 3/8	63 7/16	63 1/8	48	54	66 1/2	44 1/2	51	57	45	111 3/8	2	96 3/16	44 1/2	98 1/2	108 7/8	63 3/8	3 1/2	103 7/8	44 1/2	112	96 3/16
660	52 1/2	69 13/16	69 3/8	52 1/2	59	73 1/4	49	55 3/4	63	49 1/2	122 1/4	2 1/2	105 3/4	49	108	119 5/8	69 3/4	5	114 3/4	49	123 1/8	105 3/4
730	57 7/8	77 1/4	76 3/4	57	64 1/4	80 3/4	57 3/4	61 3/4	69 1/2	54 1/4	134 1/8	2 1/2	120 5/8	57 3/4	122 1/4	132 1/2	77 1/8	5	126 1/4	57 3/4	136 1/8	120 5/8
807	63 13/16	85 7/16	84 7/8	63	72	89	63 3/4	67 1/2	76 1/2	59 1/2	148 5/16	2 1/2	133 5/16	63 3/4	135 3/4	146 9/16	85 5/16	5	138 1/8	63 3/4	150 1/4	133 5/16
890	70 1/8	94 1/4	93 3/8	69 1/4	78 1/4	97 3/4	70 1/2	73 3/4	85	65 1/2	163 3/8	2 1/2	147 1/8	70 1/2	148 3/4	161 5/8	94 1/8	5	152 3/8	70 1/2	165 1/4	147 1/8

Size	S	T	U	V	CLASS I		CLASS II		Y	Z - CLASS I		Z - CLASS II		AA	AB	AC	AD	AE	AF	AG	AH	AJ
					W	X	W	X		SFT	KWY	SFT	KWY									
					W	X	W	X		SFT	KWY	SFT	KWY									
122	27 15/16	19 7/8	11 3/16	16	19 1/2	101 5/16	21 7/8	12 1/8	2 1/2	1	1/4 x 1/8	1 3/16	1/4 x 1/8	23 11/16	26 3/8	16 7/16	26 3/16	31 11/16	21 3/4	6 1/8	-	6 5/8
135	30 3/4	21 7/8	12 5/16	17 1/2	20 1/2	11 7/16	22 7/8	12 5/8	2 1/2	1	1/4 x 1/8	1 3/16	1/4 x 1/8	25 13/16	28 15/16	18	28 9/16	34 5/16	23 3/8	6 11/16	-	7 1/4
150	34	24 5/16	13 11/16	19	22 1/8	12 1/2	24 1/2	13 3/4	3	1	1/4 x 1/8	1 3/16	1/4 x 1/8	28 5/8	32 3/16	20	31 11/16	37 7/16	25 1/4	7 1/4	-	8
165	37 1/4	26 3/4	15 1/16	20 1/2	23 7/8	13 3/8	26 7/8	15	3	1	1/4 x 1/8	1 7/16	3/8 x 3/16	31 3/16	35 3/8	22	34 1/16	40 3/8	27	7 7/8	-	8 5/8
182	40 15/16	29 5/8	16 5/8	22 1/2	28	15 3/4	28 1/2	16 1/16	3 1/2	1 3/16	1/4 x 1/8	1 11/16	3/8 x 3/16	34 1/2	38 11/16	23 15/16	38 1/8	44 1/8	29 3/8	8 11/16	-	9 5/8
200	46 1/16	32 1/2	18 1/4	25	29 5/8	16 1/2	30 1/8	16 7/8	3 1/2	1 3/16	1/4 x 1/8	1 11/16	3/8 x 3/16	34 1/4	42 1/4	26 1/16	38 1/4	47 5/8	31 7/16	9 1/2	-	10 7/8
222	49 1/2	36	20 3/8	27 1/4	31 5/8	17 3/4	32 1/8	18 1/8	4	1 3/16	1/4 x 1/8	1 11/16	3/8 x 3/16	41 5/8	47	29	40 7/8	52 1/2	34 1/2	10 1/4	-	11 1/8
245	54 1/2	39 3/4	22 3/8	29 3/4	34 1/4	19 1/8	34 1/8	19 1/8	4	1 7/16	3/8 x 3/16	1 11/16	3/8 x 3/16	45 3/8	51 3/4	32	44 7/8	57 7/16	37 5/8	11 1/4	-	11 1/8
270	60 3/4	43 3/4	24 3/4	33	36 1/4	20 3/16	36 1/4	20 3/16	4	1 11/16	3/8 x 3/16	1 11/16	3/8 x 3/16	50	56 15/16	35 1/8	49 1/2	62 7/16	40 5/8	12 5/16	-	13 1/8
300	65 1/8	48 3/4	27 1/2	40	38 1/4	21 1/8	38 5/8	21 3/8	4	1 11/16	3/8 x 3/16	1 5/16	1/2 x 1/4	50 3/4	63 5/16	39	53 1/2	69 5/8	45 1/4	13 1/4	33 1/8	16 7/8
330	71 3/8	53 1/2	30 1/4	44	40 7/8	22 3/8	41 1/4	22 5/8	4	1 11/16	3/8 x 3/16	1 5/16	1/2 x 1/4	55 3/4	69 9/16	42 7/8	58 1/4	75 5/8	49	14 1/2	36 1/4	18 7/8
365	79 1/8	59 1/2	33 1/2	47	44 1/2	24 3/4	44 7/8	25	5	1 11/16	3/8 x 3/16	1 5/16	1/2 x 1/4	61 1/2	77 1/4	47 5/8	63	83 1/8	53 1/2	15 13/16	40	20 3/8
402	87 3/8	65 1/2	37	51	49	27	49 5/8	27 3/8	5	1 5/16	1/2 x 1/4	2 3/16	1/2 x 1/4	68	85 3/8	52 3/4	69	92 1/4	59 5/8	17 7/16	43 7/8	22 3/8
445	95 1/4	72 3/8	40 7/8	57 1/2	52 3/4	29 1/8	53 3/8	29 1/2	5 1/2	1 5/16	1/2 x 1/4	2 3/16	1/2 x 1/4	74 1/2	93 3/8	57 1/4	76 7/8	100 3/4	64 5/8	19 1/2	48 15/16	23 5/8
490	105 1/8	79 5/8	44 7/8	62	57	31 3/8	57 3/4	31 7/8	5 1/2	2 3/16	1/2 x 1/4	2 7/16	5/8 x 5/16	81 3/4	102 7/8	63 1/8	82 7/8	110 3/8	70 5/8	21 3/8	53 5/8	25 7/8
542	115 1/4	88 1/4	49 3/4	68	62	34 3/16	62 1/8	34 1/4	6	2 7/16	5/8 x 5/16	2 11/16	5/8 x 5/16	90 1/2	113 1/4	69 1/4	91 3/4	121	77	23 1/4	59 1/4	28 7/8
600	127 3/8	97 1/2	55	74	67 5/8	37	67 7/8	37 1/4	6	2 7/16	5/8 x 5/16	2 15/16	3/4 x 3/8	99 1/2	125	76 3/8	100	133 1/8	84 1/2	25 9/16	65 1/4	31 7/8
660	139 3/4	107	60 1/2	80	75 7/8	41 5/8	77 5/8	42 3/4	7	2 11/16	5/8 x 5/16	3 7/16	7/8 x 7/16	109 1/2	137 3/8	84	110	146 1/8	92 3/4	28 7/8	72 3/8	33 1/8
730	157 1/8	118 5/8	67	88	81 7/8	45	83 1/2	46	7 1/2	2 15/16	3/4 x 3/8	3 7/16	7/8 x 7/16	121 1/8	154 1/2	95 3/8	121 1/4	161 1/8	102	31 9/16	79 3/4	37 1/8
807	172 7/8	130 7/8	73 3/4	95 1/2	88 3/8	48 1/2	89 7/8	49 1/2	8	2 15/16	3/4 x 3/8	3 7/16	7/8 x 7/16	133 5/8	170 5/8	105 3/8	133 1/4	176 7/8	111 5/8	34 9/16	87 15/16	40 7/8
890	190 1/4	144 5/8	81 5/8	106 1/2	96 1/4	52 5/8	96 5/8	52 3/4	8	3 7/16	7/8 x 7/16	3 15/16	1 x 1/2	148	188 3/8	116 1/2	147 1/8	198 7/8	126 7/8	37 11/16	96 3/4	46 3/8

Tolerance ± 1/8
 Not to be used for construction.
 Certified drawings available upon request.



PENNBARRY™

1401 North Plano Road, Richardson, TX 75081
 Ph: 972.234.3202 Fax: 972.497.0468
 www.PennBarry.com

Submittal Sheet

VCR

BI & AF

Arrangement 3, SWSI, Class I & II