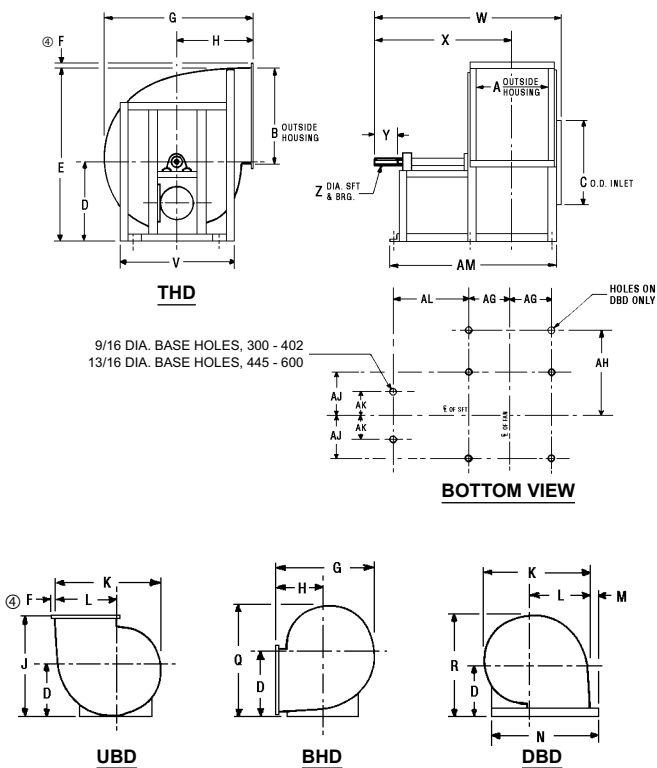


VCR

BI & AF - Arrangement 10, Class I & II



Notes

1. CW rotation shown; CCW rotation similar but opposite.
2. AF available in sizes 300 through 600.
3. BI available in sizes 300 through 600.
4. Discharge angles standard on sizes 402 through 600 only. (Hole punching optional on all sizes.)
5. On specific sales orders, see Fan Data Schedule for performance and accessory information.
6. On DBD sizes 300 through 600, discharge is extended to base.

Dimensional Data

Size	A	B	C	"D" Centerline of Fan						E	④ F	G	H	J	K	L	M	N	P	Q	R	S
				THD	UBD	BHD	DBD	TAUD	BAUD													
300	23 11/16	31 13/16	31 5/8	35	35	35	35	35	35	66 3/4	1 1/2	49 1/4	23 7/16	58 7/16	54 1/2	31 3/4	2 1/2	54 3/4	32 7/8	57 3/4	60 13/16	74 1/8
330	26 1/4	34 15/16	34 3/4	35	35	38	35	35	38	69 7/8	1 1/2	54 3/16	25 13/16	60 13/16	59 7/8	34 7/8	2 1/2	59 7/8	34 9/16	63	63 3/8	77 7/8
365	28 7/8	38 11/16	38 1/2	35	35	41	35	35	41	73 5/8	1 1/2	60 1/8	28 5/8	63 5/8	66 5/16	38 5/8	2 1/2	65 1/8	37 1/8	68 11/16	66 1/2	82 5/8
402	32 1/16	42 9/16	42 7/16	37	37	45 1/2	37	37	45 1/2	79 1/2	2	66 11/16	32	69	73 1/16	42 1/2	2 1/2	71	41	76 1/16	71 11/16	89 3/8
445	35 1/4	47 3/16	46 7/8	41	41	50	41	41	50	88 1/16	2	72 1/8	33 3/4	74 3/4	80 7/8	47 1/16	3	78 7/8	44	83 13/16	79 3/8	98 1/4
490	39	51 13/16	51 5/8	44	44	55	44	44	55	95 3/4	2	79 11/16	37 1/2	81 1/2	88 7/8	51 3/4	3	85 3/4	47 3/4	92 1/8	86 3/16	107 1/8
542	42 3/4	57 7/16	57 1/8	44	49	60	44	49	60	101 3/8	2	87 1/4	40 1/2	89 1/2	98 9/16	57 3/8	4	95 7/8	51 3/4	101 3/16	90 3/4	118 1/4
600	47 3/8	63 7/16	63 1/8	48	54	66 1/2	48	54	66 1/2	111 3/8	2	96 3/16	44 1/2	98 1/2	108 7/16	63 3/8	4	104 7/8	56	112	99 11/16	130 3/8

Size	T	U	V	W	X	Y	Z - CLASS I		Z - CLASS II		AA	AB	AC	AD	AE	AF	AG	AH	AJ	AK	AL	AM	Max Mtr. Frame ARRG. 9 & 10 ODP & TEFC
							SFT	KWY	SFT	KWY													
							300	48 3/4	27 1/2	41													
330	53 1/2	30 1/4	45	64 7/8	47 1/8	5 1/2	1 11/16	3/8 x 3/16	1 15/16	1/2 x 1/4	61 1/4	69 9/16	42 7/8	65 1/4	75 5/8	49	14 1/2	36 1/4	18 3/8	13 3/8	28	59 1/4	286T
365	59 1/2	33 1/2	48	68	48 7/16	5 1/2	1 11/16	3/8 x 3/16	1 15/16	1/2 x 1/4	67	77 1/8	47 1/2	68 1/2	83 1/8	53 1/2	15 13/16	40	19 7/8	13 3/8	28	61 7/8	286T
402	65 1/2	37	52	73 3/4	53 1/16	5 1/2	1 15/16	1/2 x 1/4	2 3/16	1/2 x 1/4	74	85 1/4	52 5/8	74	91 5/8	59	17 7/16	43 7/8	21 7/8	14 3/8	31	68 1/8	326T
445	72 3/8	40 7/8	57 1/2	77 3/8	54 5/8	5 1/2	2 3/16	1/2 x 1/4	2 7/16	5/8 x 5/16	81 1/2	93 1/4	57 1/8	77 7/8	100 3/4	64 5/8	19 1/4	48 3/4	23 7/8	15 5/8	31	72 1/4	326T
490	79 5/8	44 7/8	62	85 5/8	60	6	2 3/16	1/2 x 1/4	2 7/16	5/8 x 5/16	89 3/4	102 7/8	63 1/8	83 7/8	110 3/8	70 5/8	21 1/8	53 3/8	26 1/8	16 5/8	34	79	364T
542	88 1/4	49 3/4	69	92 3/8	64 7/8	6	2 7/16	5/8 x 5/16	2 11/16	5/8 x 5/16	98 1/2	113 1/4	69 1/4	93 3/4	121	77	23 1/2	59 1/2	28 5/8	18 1/8	37	87 3/4	365T
600	97 1/2	55	75	98 1/4	68 7/16	7	2 7/16	5/8 x 5/16	2 11/16	5/8 x 5/16	109	124 7/8	76 1/4	103	133	84 3/8	25 13/16	65 1/2	31 5/8	18 1/8	37	92 3/8	404T

Tolerance ± 1/8
Not to be used for construction.
Certified drawings available upon request.

PENNBARRY™

1401 North Plano Road, Richardson, TX 75081
Ph: 972.234.3202 Fax: 972.497.0468
www.PennBarry.com

Submittal Sheet

VCR

BI & AF - Arrangement 10, Class I & II

This drawing illustrates our understanding of order requirements. When approved, it represents details for fabrication, as such, PennBarry will not be responsible for revisions in the field or other changes after release for fabrication. Published and protected by PennBarry, Richardson, TX. All rights reserved. May not be reproduced partially or in full without permission from the publisher. No rights conveyed to manufacture partially or in full, use or sell either the method of construction represented or any invention in any way related thereto.