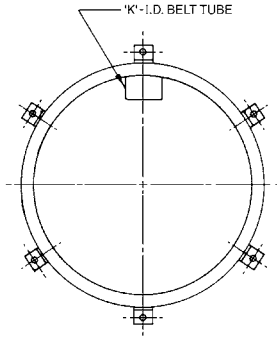
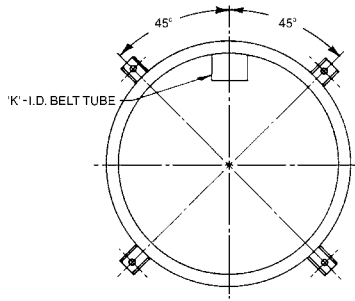


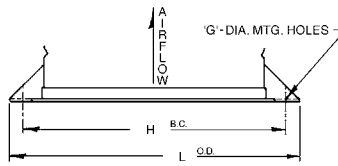
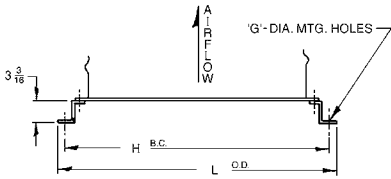
# Tubular Centrifugal Fan - TUB Vertical Discharge - Arrangement 9, Class I & II



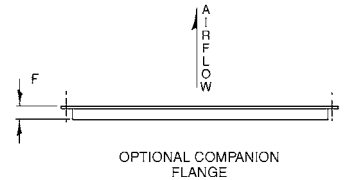
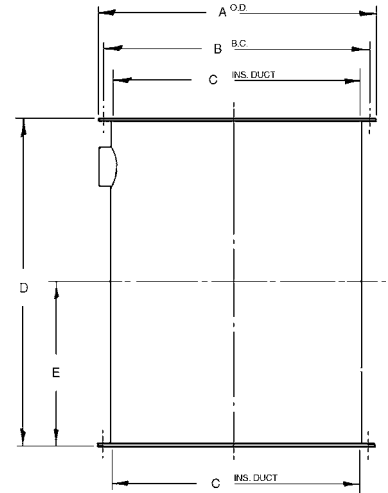
VIEW SHOWS STANDARD MOUNTING CLIPS, 6 WILL BE FURNISHED MOUNTED AS REQUIRED (SIZE 182 - 365)



VIEW SHOWS STANDARD END BRACKETS 4 WILL BE FURNISHED (SIZE 402 - 660)



TOLERANCE +/- 1/8



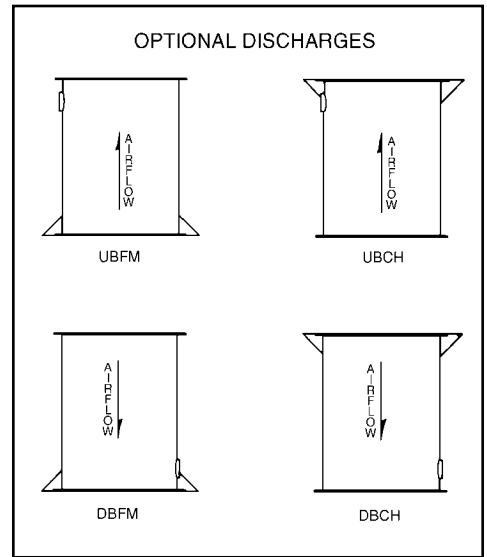
OPTIONAL COMPANION FLANGE

**Notes:**

1. All units equipped with "J" diameter drive extensions.
2. All units equipped with adjustable motor base.
3. **MAXIMUM MOTOR SIZE** - 50 HP @ 1800 RPM (Frame Size 326T). Refer others to factory.
4. Fan duct mounting holes:
  - 182 - 270 = (12) 9/16 dia. holes equally spaced about a "B" dia. bolt circle.
  - 300 - 365 = (16) 9/16 dia. holes equally spaced about a "B" dia. bolt circle.
  - 402 - 445 = (16) 13/16 dia. holes equally spaced about a "B" dia. bolt circle.
  - 490 - 660 = (24) 13/16 dia. holes equally spaced about a "B" dia. bolt circle.
5. Dimensions (inches) should not be used for construction. Certified drawings are available upon request.

### Dimensional Data

Size	A	B	C	D	E	F	G	H	'J' - Dr. Ext.		K	L
									Class I	Class II		
182	28	26 3/4	24 11/16	32 1/4	16 1/8	1 1/2	7/16	29 3/4	1 3/16	1 7/16	6 5/8	31
200	30 5/16	29 1/8	27 1/16	35 3/8	17 11/16	1 1/2	7/16	33 11/16	1 7/16	1 7/16	7 5/16	35 7/16
222	33 3/8	32 1/8	30 1/16	39 1/4	19 5/8	1 1/2	3/4	36 11/16	1 7/16	1 11/16	8 1/8	38 7/16
245	36 3/8	35 1/8	33 1/8	43 1/4	21 5/8	1 1/2	3/4	39 5/8	1 11/16	1 11/16	8 15/16	41 3/8
270	39 3/4	38 1/2	36 1/2	47 5/8	23 13/16	1 1/2	3/4	43 1/8	1 11/16	1 15/16	9 7/8	44 7/8
300	44 7/8	43 1/8	40 9/16	52 7/8	26 7/16	2	3/4	47 3/8	1 11/16	2 3/16	11	49 1/8
330	49	47 1/4	44 5/8	58 1/8	29 1/16	2	3/4	51 7/16	1 11/16	2 3/16	12 1/8	53 3/16
365	53 3/4	52	49 3/8	64 3/8	32 3/16	2	3/4	56 3/16	1 15/16	2 7/16	13 3/8	57 15/16
402	59 3/4	57 1/2	54 3/8	70 7/8	35 7/16	2 1/2	9/16	65 3/4	2 3/16	2 11/16	14 13/16	67 3/4
445	65 1/2	63 1/4	60 3/16	78 5/8	39 5/16	2 1/2	9/16	71 1/2	2 7/16	2 11/16	16 3/8	73 1/2
490	71 5/8	69 3/8	66 1/4	86 3/8	43 3/16	2 1/2	9/16	77 5/8	2 15/16	3 7/16	17 15/16	79 5/8
542	79 3/4	77	73 3/8	95 5/8	47 13/16	3	13/16	84 5/8	2 15/16	3 15/16	19 7/8	86 5/8
600	87 1/2	84 3/4	81 3/16	105 5/8	52 13/16	3	13/16	95	3 7/16	4 7/16	22 1/16	100
660	95 5/8	92 7/8	89 5/16	116 3/8	58 3/16	3	13/16	103 1/8	3 7/16	4 7/16	24 1/4	108 1/8



OPTIONAL DISCHARGES

**PENNBARRY™**

1401 North Plano Road, Richardson, TX 75081  
Ph: 972.234.3202 Fax: 972.497.0468  
www.PennBarry.com

## Submittal Sheet

### Tubular Centrifugal Fan

### Vertical Discharge

### Arrangement 9, Class I & II

This drawing illustrates our understanding of order requirements. When approved, it represents details for fabrication, as such, PennBarry will not be responsible for revisions in the field or other changes after release for fabrication. Published and protected by PennBarry, Richardson, TX. All rights reserved. May not be reproduced partially or in full without permission from the publisher. No rights conveyed to manufacture partially or in full, use or sell either the method of construction represented or any invention in any way related thereto.