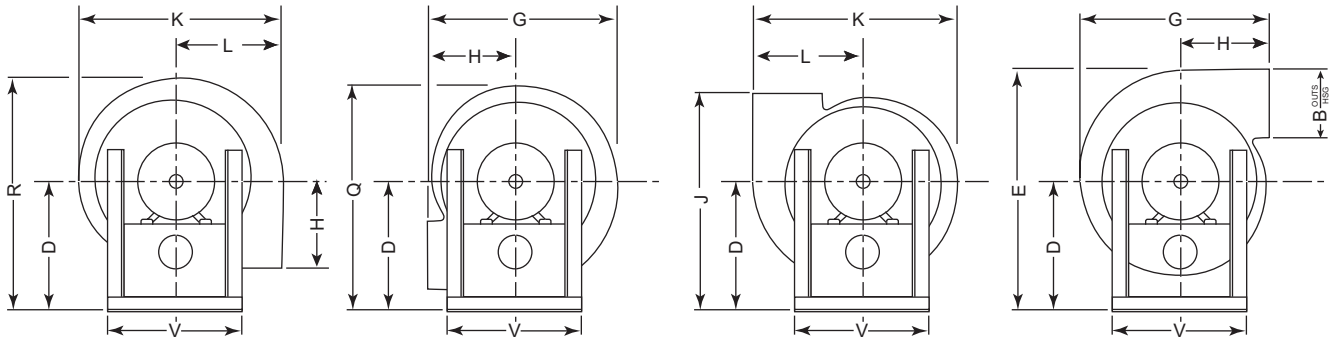
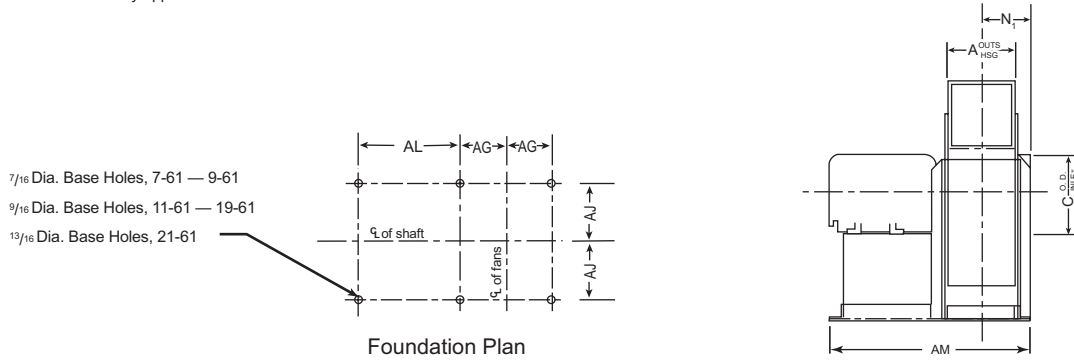


IndustraCon Series 61, Arrangement 4




Note: CW rotation shown; CCW rotation similar by opposite.



Dimensional Data

Size	A	B	C	D	E	G	H	J	K	L	N ₁	Q	R	V	AG	AJ	AL	AM	Max. Mtr. Frame	
																			ODP	TEFC
7-61	6 13/16	6 13/16	7	14 1/4	24 3/4	18 15/16	9 5/16	23 9/16	19 5/16	10 1/2	4 11/16	23	23 7/8	14	4 1/16	6 3/8	13 3/4	23 1/8	215T	215T
9-61	7 3/4	8 5/8	9	15 1/4	28 11/16	22 15/16	10 5/8	25 7/8	24 11/16	13 7/16	5 1/2	26 7/16	27 9/16	17 1/2	4 7/8	8 1/8	13 3/4	24 3/4	215T	215T
11-61	9 7/16	10 9/16	11	18 3/4	35 3/16	28 1/16	13	31 3/4	30 1/8	16 7/16	6 15/16	32 7/16	33 13/16	19 7/8	6 1/16	9 1/16	16 1/2	30 3/8	254T	254T
13-61	11 1/4	12 7/16	13	21 3/4	41 3/16	33 3/16	15 3/8	37 1/8	35 5/8	19 7/16	7 13/16	37 15/16	39 9/16	23	6 15/16	10 5/8	17 3/4	33 3/8	284T	284T
15-61	12 15/16	14 5/16	15	25 1/4	47 5/8	38 1/4	17 3/4	43	41	22 3/8	9 3/16	43 7/8	45 3/4	26	8 1/8	11 7/8	22 1/2	40 7/8	286T	286T
17-61	14 5/8	16 3/8	17	28 1/4	53 11/16	43 7/16	20 1/8	48 3/8	46 5/8	25 7/16	10	49 7/16	51 9/16	29 1/4	8 7/8	13 1/2	24 1/2	44 1/2	326T	326T
19-61	16 1/4	18 3/16	19	31 1/4	59 9/16	48 3/8	22 7/16	53 11/16	51 7/8	28 5/16	10 7/8	54 13/16	57 3/16	31	9 3/4	14 3/8	27	48 3/4	364T	364T
21-61	17 15/16	20 1/8	21	34 1/2	65 13/16	51 9/16	23	57 1/2	57 1/8	31 5/16	12 1/4	60 5/16	63 1/16	37	10 7/8	17 1/8	28 1/2	53	365T	365T

Notes: Dimensions (inches) should not be used for construction. Certified drawings are available upon request.

 PENNBARRY™ 1401 North Plano Road, Richardson, TX 75081 Ph: 972.234.3202 Fax: 972.497.0468 www.PennBarry.com	<h2 style="margin: 0;">Submittal Sheet</h2> <h3 style="margin: 0;">IndustraCon</h3> <h3 style="margin: 0;">Series 61, Arrangement 4</h3>
--	--

This drawing illustrates our understanding of order requirements. When approved, it represents details for fabrication, as such, PennBarry will not be responsible for revisions in the field or other changes after release for fabrication. Published and protected by PennBarry, Richardson, TX. All rights reserved. May not be reproduced partially or in full without permission from the publisher. No rights conveyed to manufacture partially or in full, use or sell either the method of construction represented or any invention in any way related thereto.