

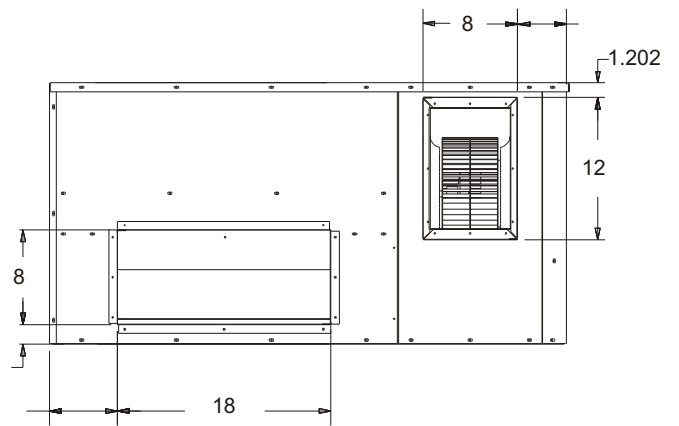
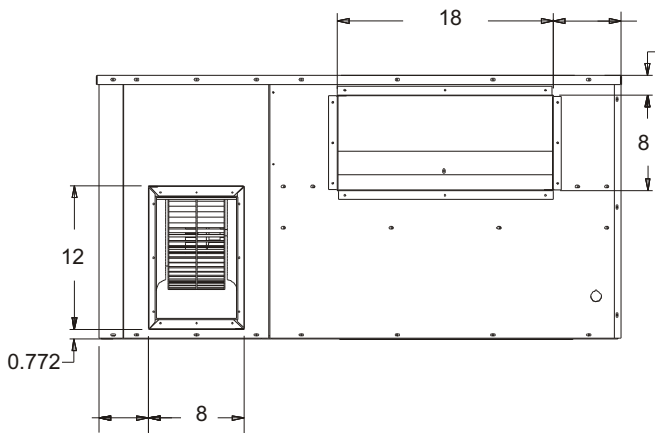
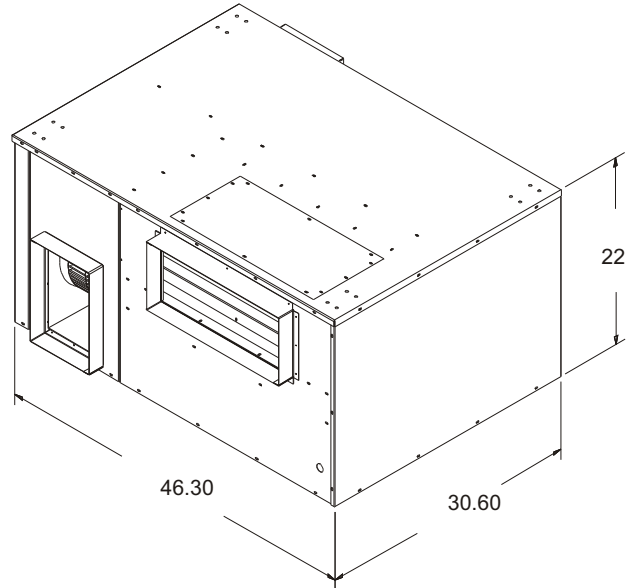


SPECIFICATION DATA FOR STAND ALONE MV 750 MINI VENTILATOR

PennBarry Model MV750 STAND ALONE INDOOR CONVERTIBLE W/ LOW AMBIENT / ROTATION SENSOR / CLIMATE SMART

Unit Data	
CFM	700-1073
Voltage	115v - 1 Phase
MCA - Stationary	23.20
OCPD - Stationary	30
Filter Size	12 x 24 x 2
Net Weight - lbs.	225
Shipping Weight - lbs.	261

Wheel Data	
Potential Volts	115v
Motor Speed -rpm	1050
Full Load Amps	0.7
Wheel Depth - in	3
Wheel Diameter - in	25.3
Construction / Media	One Piece / Polymeric



Fresh Air Blower Data	
Motor - hp	1/2
Wheel Size (dia x width) -in	DD 10 x 4AT
Motor Speed -rpm	1625
Motor Speed(s)	3
Bearing Type	Sleeve
Full Load Amps	7.6 (10.0 Max)
Service Factor	1

Exhaust Air Blower	
Motor - hp Stationary	1/2
Wheel Size (dia x width) -in	DD 10 x 4AT
Motor Speed -rpm	1625
Motor Speed(s)	3
Bearing Type	Sleeve
Full Load Amps - Stationary	7.6 (10.0 Max)
Service Factor	1

Oct 8, 2013