

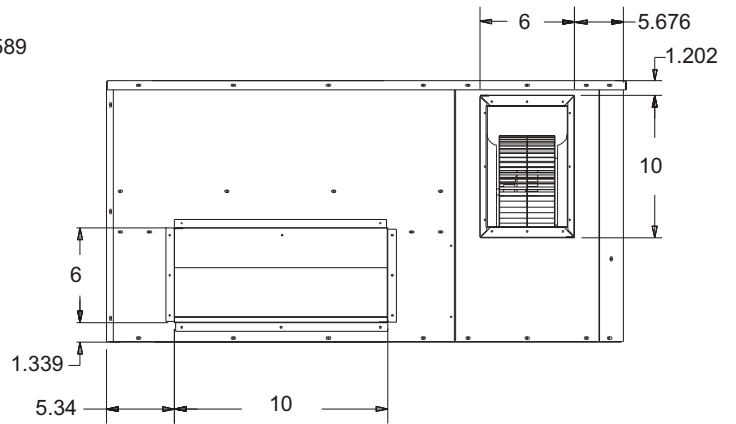
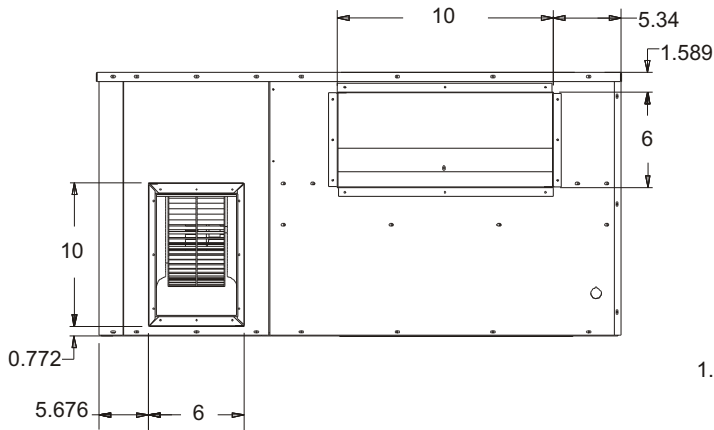
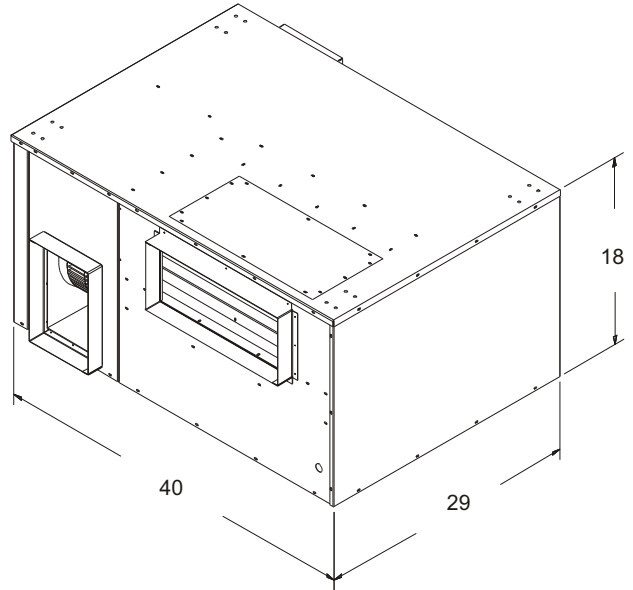


SPECIFICATION DATA FOR STAND ALONE MV 250 MINI VENTILATOR

PennBarry Model MV250 STAND ALONE INDOOR CONVERTIBLE W/ LOW AMBIENT / ROTATION SENSOR / CLIMATE SMART

| Unit Data | |
|------------------------|----------------|
| CFM | 175-590 |
| Voltage | 115v - 1 Phase |
| MCA - Stationary | 9.25 |
| OCPD - Stationary | 10 |
| Filter Size | 10 x 20 x 2 |
| Net Weight - lbs. | 190 |
| Shipping Weight - lbs. | 210 |

| Wheel Data | |
|----------------------|-----------------------|
| Potential Volts | 115v |
| Motor Speed -rpm | 1050 |
| Full Load Amps | 0.7 |
| Wheel Depth - in | 1 |
| Wheel Diameter - in | 19.3 |
| Construction / Media | One Piece / Polymeric |



| Fresh Air Blower Data | |
|------------------------------|--------------|
| Motor - hp | 1/5 |
| Wheel Size (dia x width) -in | DD 5.5 X 6.3 |
| Motor Speed -rpm | 1625 |
| Motor Speed(s) | 2 |
| Bearing Type | Sleeve |
| Full Load Amps | 3.8 |
| Service Factor | 1 |

| Exhaust Air Blower | |
|------------------------------|--------------|
| Motor - hp Stationary | 1/5 |
| Wheel Size (dia x width) -in | DD 5.5 X 6.3 |
| Motor Speed -rpm | 1625 |
| Motor Speed(s) | 2 |
| Bearing Type | Sleeve |
| Full Load Amps - Stationary | 3.8 |
| Service Factor | 1 |

Oct 18, 2013