

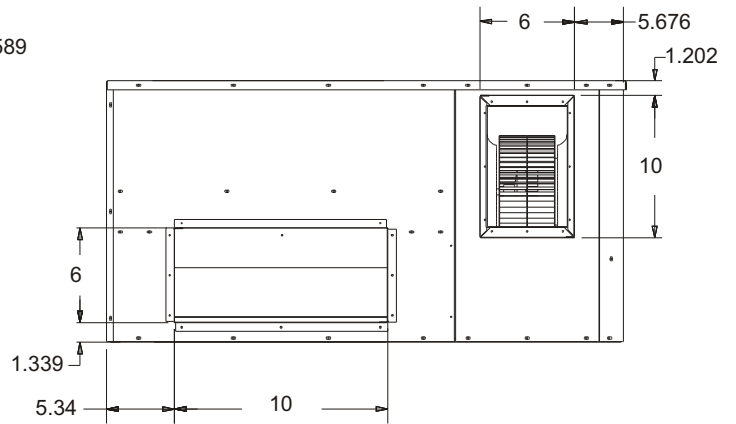
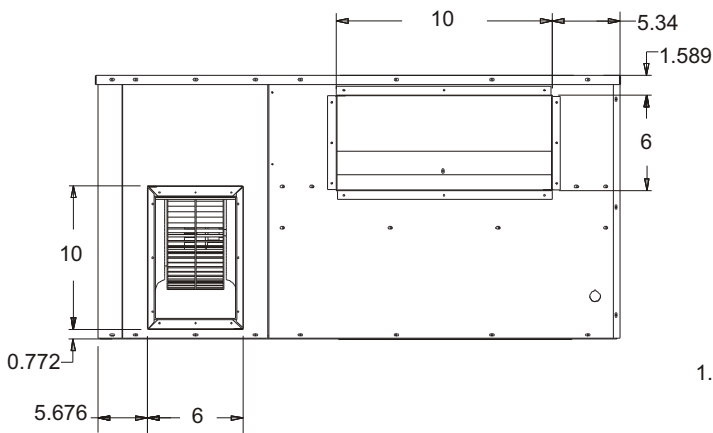
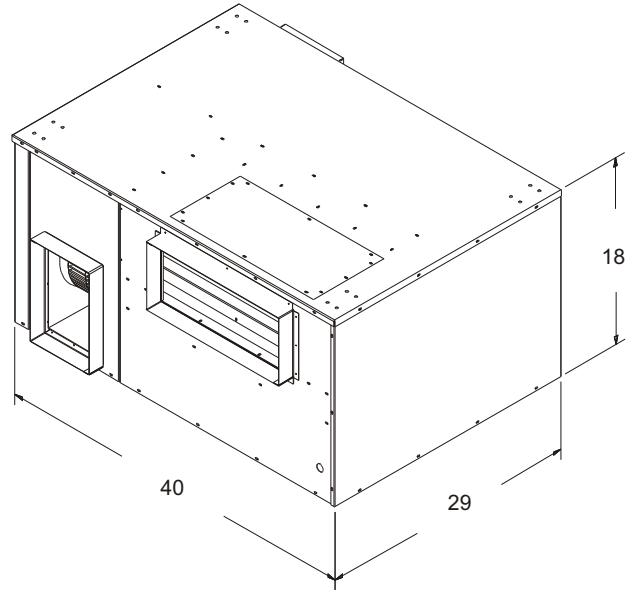


SPECIFICATION DATA FOR STAND ALONE MV 250 MINI VENTILATOR

PennBarry Model MV250 STAND ALONE INDOOR CONVERTIBLE W/ FIELD OPTIONS ONLY

Unit Data	
CFM	175-590
Voltage	115v - 1 Phase
MCA - Stationary	9.25
OCPD - Stationary	10
Filter Size	10 x 20 x 2
Net Weight - lbs.	190
Shipping Weight - lbs.	210

Wheel Data	
Potential Volts	115v
Motor Speed -rpm	1050
Full Load Amps	0.7
Wheel Depth - in	1
Wheel Diameter - in	19.3
Construction / Media	One Piece / Polymeric



Fresh Air Blower Data	
Motor - hp	1/5
Wheel Size (dia x width) -in	DD 5.5 X 6.3
Motor Speed -rpm	1625
Motor Speed(s)	2
Bearing Type	Sleeve
Full Load Amps	3.8
Service Factor	1

Exhaust Air Blower	
Motor - hp Stationary	1/5
Wheel Size (dia x width) -in	DD 5.5 X 6.3
Motor Speed -rpm	1625
Motor Speed(s)	2
Bearing Type	Sleeve
Full Load Amps - Stationary	3.8
Service Factor	1

Oct 18, 2013