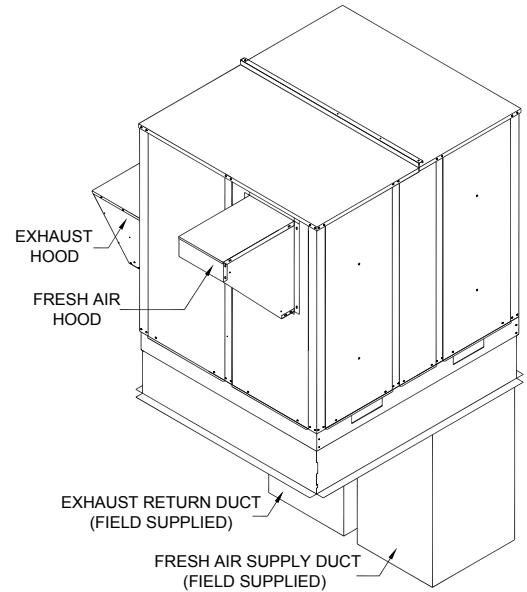


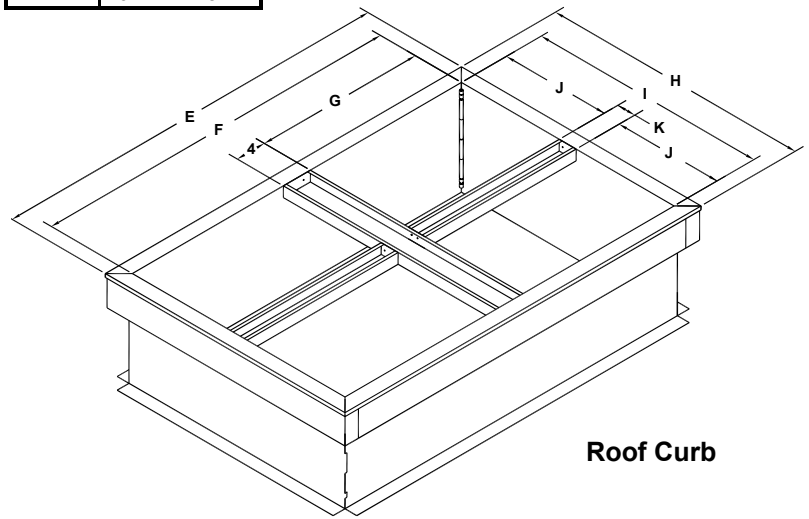
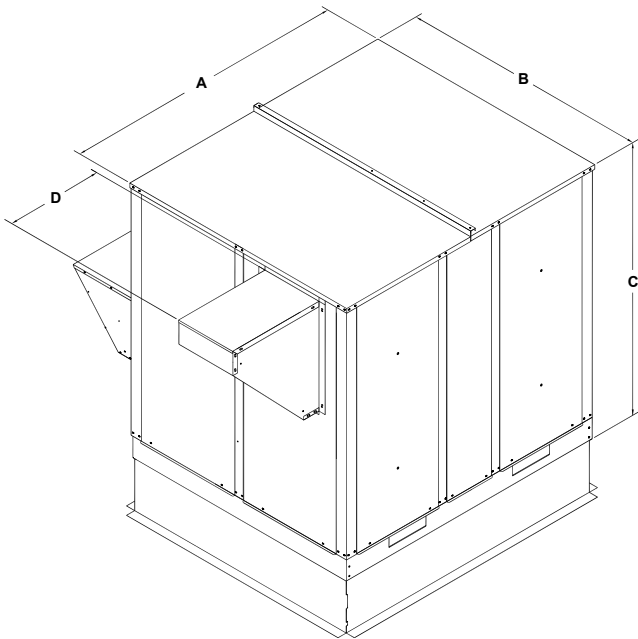
# D-SERIES

**Notes:**

1. Stand alone design allows higher levels of outdoor air to be introduced into conditioned space.
2. Static test ports provide intake and exhaust CFM verification.
3. Roof curbs are available for the ERV's
4. Balancing dampers (provided by others) may be required for optimal performance.
5. Filter rack with 2" pleated filters included.



ERV Roof Curbs	
Series	Model No.
D11	01-2D1-2514
D20	01-2D1-3014
D28	01-2D1-2514
D36	01-2D1-2514
D46	01-2D1-2514
D62	01-2D1-2514



**Roof Curb**

ERV DATA			DIMENSIONAL DATA										
ERV Series	CFM Range	Duct Size (GxJ)	ERV				Roof Curb						
			A	B	C	D	E	F	G	H	I	J	K
D11	300-1100	17.00 x 11.38	44.75	32.13	33.50	11.00	43.00	39.00	17.50	30.25	26.25	11.88	2.50
D20	1200-2000	21.88 x 14.00	54.38	37.25	37.50	17.50	52.75	48.75	22.38	35.50	31.50	14.50	2.50
D28	1200-2800	20.25 x 17.00	52.25	42.63	43.56	17.50	49.50	45.50	20.75	41.00	37.00	17.50	2.00
D36	2000-3600	23.38 x 17.38	60.00	46.69	57.37	28.00	55.75	51.75	23.88	41.81	37.81	17.91	2.00
D46	3000-4600	23.38 x 20.38	60.00	52.69	57.37	28.00	55.75	51.75	23.88	47.81	43.81	20.91	2.00
D62	4600-6200	29.38 x 30.00	72.00	70.88	63.63	28.00	67.75	63.75	29.88	66.00	62.00	30.50	2.00



**PENN BARRY™**  
 1401 North Plano Rd, Richardson, TX 75081  
 Ph: 972.234.3202 Fax: 972.497.0468  
 www.PennBarry.com

## Submittal Sheet

### D-Series Stand Alone ERV For Down Discharge Duct Arrangements

This drawing illustrates our understanding of order requirements. When approved, it represents details for fabrication, as such, PennBarry will not be responsible for revisions in the field or other changes after release for fabrication. Published and protected by PennBarry, Richardson, TX. All rights reserved. May not be reproduced partially or in full without permission from the publisher. No rights conveyed to manufacture partially or in full, use or sell either the method of construction represented or any invention in any way related thereto