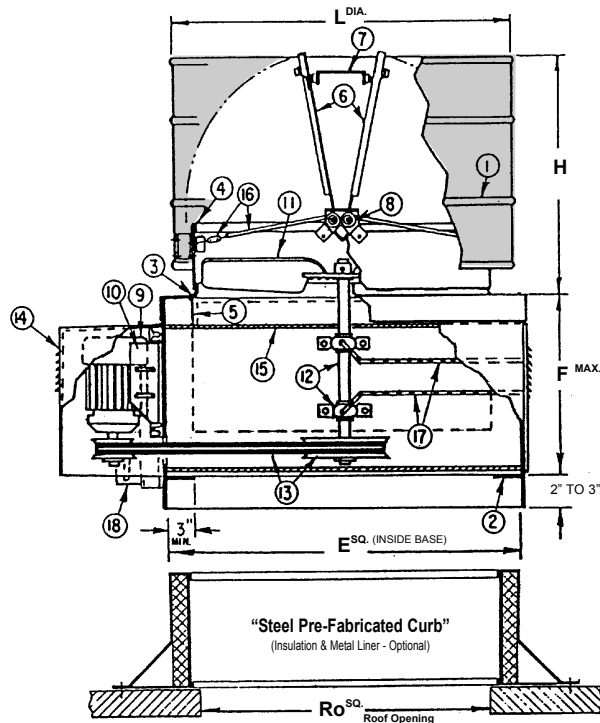


# Hi-Ex HiteSaver - Model HS-HS



**Must Specify Heat and Smoke Option when Ordering.**

## Legend

- |  |  |
|--|--|
| 1. Protective Windband (Ribbed Reinforced) | 11. Propeller (Fabricated Steel)                                 |
| 2. Curb Base                               | 12. Fan Shaft & Bearings   |
| 3. Venturi-type Orifice                    | 13. V-Belt & Pulleys (Double Groove Min. High Temperature Belts) |
| 4. Throat with Top Gasket                  | 14. Motor Weather Cover (Remote Drive)                           |
| 5. Welded Steel Internal Bracing           | 15. Belt & Bearing Breather Duct Enclosure                       |
| 6. Butterfly Damper Assembly               | 16. Torsion Springs & Fusible Links - 165°F                      |
| 7. Damper-Stop Rubber Cushioned            | 17. Extended Grease Lines & Fittings (Optional)                  |
| 8. Rain Channel & Damper Bearings          | 18. Disconnect Switch - (Remote Outside Mounted - Optional)      |
| 9. Ball Bearing Motor                      |  |
| 10. Motor Mounting Plate                   |  |


## Dimensional Data

	HS24	HS30	HS36	HS42	HS48	HS54	HS60
L <sup>DIA</sup>	33	36	42	48	54	60	66
H	22	24	26	30	32	32	36
†E <sup>SQ.</sup>	33 1/2	38 1/2	44 1/2	50 1/2	56 1/2	66	72
Ro <sup>SQ.</sup>	30	34	40	46	52	61 1/2	67 1/2
F <sup>MAX.</sup>	24	24	24	24	24	24	24

† Outside dimension of curb should be 1 1/2" less than 'E' dimension.

All dimensions are in inches.

**Material:** Galvanized steel

 <b>PENNBARRY™</b> 1401 North Plano Road, Richardson, TX 75081 Ph: 972.234.3202 Fax: 972.497.0468 www.PennBarry.com	<h2 style="margin: 0;">Submittal Sheet</h2> <h3 style="margin: 0;">Hi-Ex HiteSaver - Model HS-HS</h3> <h4 style="margin: 0;">Heat and Smoke</h4> <h4 style="margin: 0;">Uplblast Propeller Roof Exhauster</h4>
--	--

This drawing illustrates our understanding of order requirements. When approved, it represents details for fabrication, as such, PennBarry will not be responsible for revisions in the field or other changes after release for fabrication. Published and protected by PennBarry, Richardson, TX. All rights reserved. May not be reproduced partially or in full without permission from the publisher. No rights conveyed to manufacture partially or in full, use or sell either the method of construction represented or any invention in any way related thereto.

**Form ES-HS-HS**  
Revised March 2005