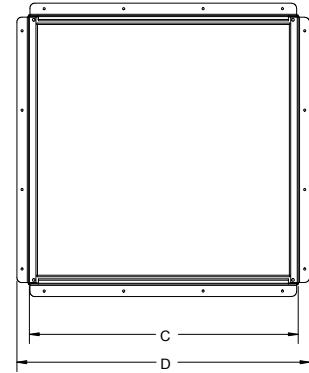
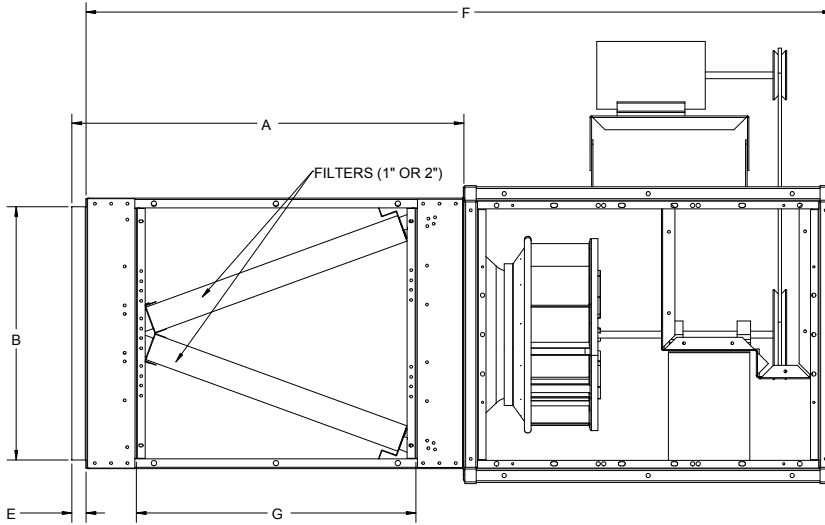
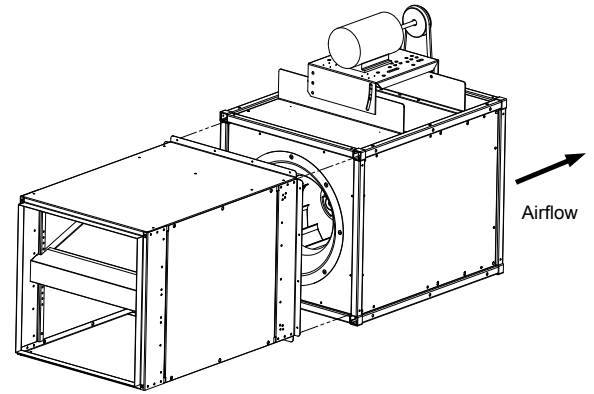


Filter Box



Direct Drive Dimensions

| Direct Drive | A | B | C | D | E | F | G | Filters Qty/Size | |
|--------------|-------|-------|-------|-------|------|-------|-------|------------------|---------|
| SX085 | 26.96 | 12.67 | 13.90 | 15.75 | 1.00 | 42.22 | 20.89 | 1 | 14 x 20 |
| SX095 | 26.96 | 12.67 | 13.90 | 15.75 | 1.00 | 50.0 | 20.89 | 1 | 14 x 20 |
| SX115 | 28.87 | 18.67 | 19.80 | 21.64 | 1.00 | 55.0 | 20.37 | 2 | 20 x 20 |

All dimensions in inches.

Belt Drive Dimensions

| Belt Drive | A | B | C | D | E | F | G | Filters Qty/Size | |
|-------------|-------|-------|-------|-------|------|-------|-------|------------------|---------|
| SX100BC | 26.96 | 12.67 | 13.90 | 15.75 | 1.00 | 49.97 | 20.89 | 2 | 14 x 20 |
| SX120/125BC | 34.70 | 18.67 | 19.80 | 21.64 | 1.00 | 60.71 | 26.32 | 3 | 20 x 25 |
| SX155/165BC | 30.08 | 24.78 | 25.81 | 27.66 | 1.00 | 62.08 | 21.33 | 4 | 20 x 25 |
| SX205BC | 35.08 | 24.78 | 25.81 | 27.66 | 1.00 | 67.08 | 26.28 | 4 | 25 x 25 |
| SX225BC | 35.22 | 29.46 | 30.41 | 32.98 | 1.50 | 69.73 | 25.95 | 4 | 16 x 25 |
| | | | | | | | | 4 | 14 x 25 |
| SX275BC | 36.05 | 36.71 | 38.47 | 41.04 | 1.50 | 78.55 | 25.71 | 4 | 25 x 25 |
| | | | | | | | | 4 | 14 x 25 |
| SX335BC | 37.35 | 45.21 | 46.87 | 49.44 | 1.50 | 83.86 | 25.91 | 15 | 16 x 25 |
| SX420BC | 38.78 | 55.57 | 57.17 | 59.74 | 1.50 | 91.28 | 25.27 | 10 | 16 x 25 |
| | | | | | | | | 5 | 25 x 25 |

All dimensions in inches.

Material:

Galvanized Housing

| | |
|--|--|
|  <p>PENNBARRY™ 1401 N. Plano Rd., Richardson, TX 75081 Ph: 972.234.3202; Fax: 972.497.0468 www.pennbarry.com</p> | <h2 style="margin: 0;">Submittal Sheet</h2> <h3 style="margin: 0;">Filter Box</h3> <h4 style="margin: 0;">For CENTREX Inliner Model SX Inline Fan</h4> |
|--|--|

This drawing illustrates our understanding of order requirements. When approved, it represents details for fabrication, as such, PennBarry will not be responsible for revisions in the field or other changes after the release for fabrication. Published and protected by PennBarry, Richardson, TX. All rights reserved. This document may not be reproduced partially or in full without expressed written permission from the publisher. No rights conveyed to manufacture partially or in full, use or sell either the method of construction represented or any invention in any way thereto.

Form ES-FB
February 2009