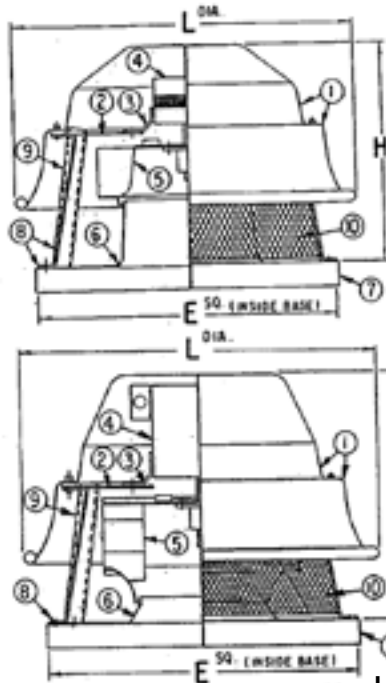


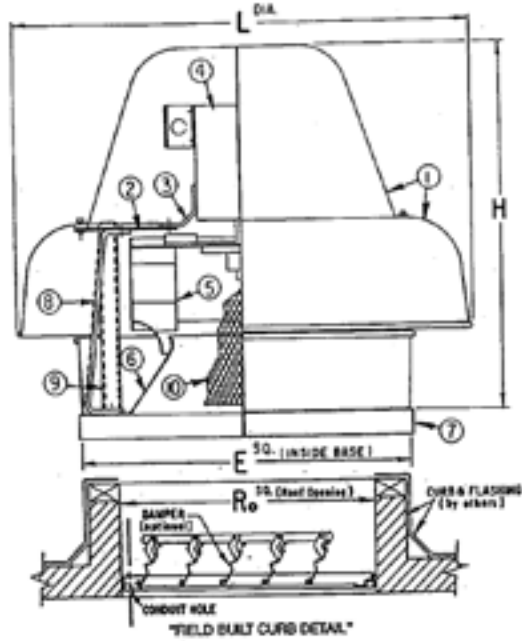
Domex - Direct Drive

DX06, 8,
10 & 11



DX13

DX16



Legend

- | | | |
|----------------------------|---|------------------------------|
| 1. Hood - Discharge Apron | 4. Motor | 7. Mounting Base |
| 2. Top Plate | 5. Centrifugal Fan (with Cooling Vanes) | 8. Structural Support Braces |
| 3. Motor Mounting Brackets | 6. Spun Venturi | 9. Conduit Guide |
| | | 10. Aluminum Bird Screen |

Dimensional Data

Standard Direct Drive Models

	DX06R	DX08SR	DX10SR	DX11VSR/Q	DX13VSR/Q	DX16VSR DX16Q1, Q2	DX18V
L ^{DIA.}	18 7/8	20 7/8	20 7/8	20 7/8	21 7/16	28 1/2	39
H	12 5/8	13 3/8	13 3/8	13 3/8	14 3/4	22 1/2	31
E ^{†SQ.}	18 1/2	18 1/2	18 1/2	18 1/2	18 1/2	20 1/2	28 1/2
Ro ^{SQ.}	9	9	11 1/2	11 1/2	11 1/2	16	20

Green Plus Direct Drive Models

	DX08SR	DX10SR	DX11VSR/Q	DX13VSR/Q	DX16VSR DX16Q1, Q2	DX18V
L ^{DIA.}	21 7/16	21 7/16	21 7/16	21 7/16	28 1/2	39
H	17 1/2	18 1/2	18 1/2	18 1/2	22 1/2	31
E ^{†SQ.}	18 1/2	18 1/2	18 1/2	18 1/2	20 1/2	28 1/2

† Outside dimension of curb should be 1 1/2" less than 'E' dimension.

All dimensions in inches.

Material: Spun Aluminum Housing



PENNBARRY™
605 Shiloh Rd, Plano, TX 75074
Ph: 972.212.4700 Fax: 972.212.4702
www.PennBarry.com

Submittal Sheet
Domex - Direct Drive
Spun Aluminum Centrifugal Roof Exhausters

This drawing illustrates our understanding of order requirements. When approved, it represents details for fabrication, as such, PennBarry will not be responsible for revisions in the field or other changes after release for fabrication. Published and protected by PennBarry, Richardson, TX. All rights reserved. May not be reproduced partially or in full without permission from the publisher. No rights conveyed to manufacture partially or in full, use or sell either the method of construction represented or any invention in any way related thereto.

Form ES-DMX4

Revised March 2013