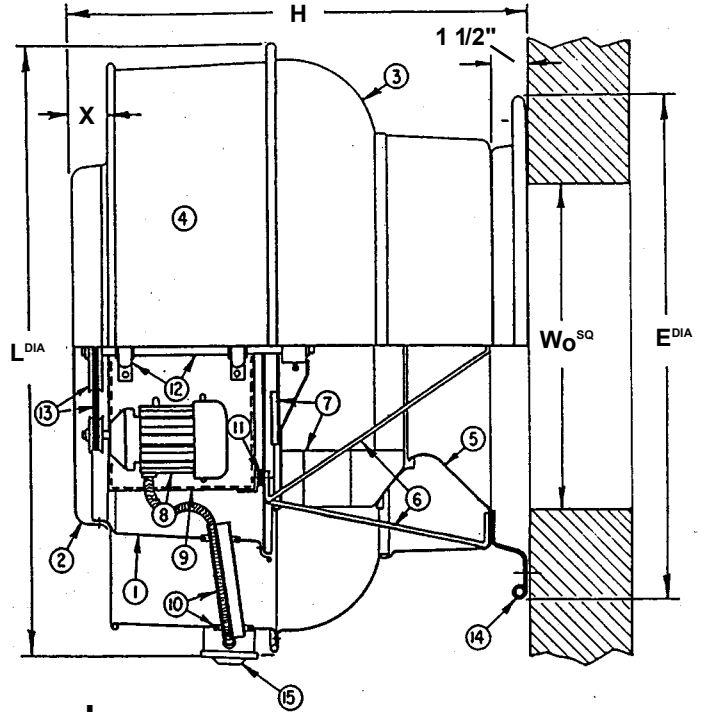
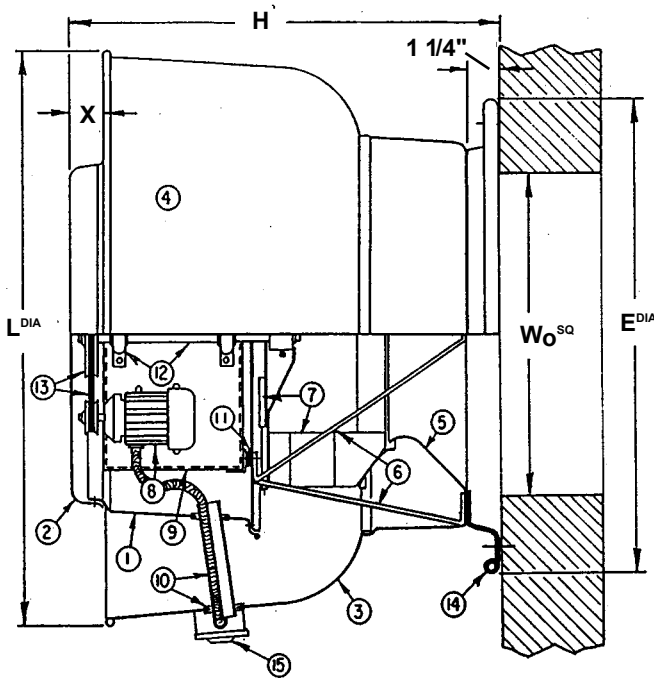


Fumex - Belt Drive - Wall Mounted Fatrap

WFX08BFT - WFX14BFT

WFX16BFT - WFX24BFT



Legend

- | | |
|--|--|
| 1. Motor Dome | 9. Motor Support Plate |
| 2. Motor Dome Top | 10. Cooling Tube & Gaskets
(Alternate Wire Passage) |
| 3. Discharge Apron* | 11. Anti-Vibration Mounts |
| 4. Windband* | 12. Fan Shaft & Bearings |
| 5. Spun Inlet Venturi | 13. Belt & Pulley |
| 6. Tri-Strut™ Brace | 14. Spun Bead Mounting Flange |
| 7. Centrifugal Fan Wheel (With Intake Fan) | 15. Weather Tight Disconnect Switch |
| 8. Motor (2 Hp Max.) | |

* Discharge apron & windband is one piece on sizes WFX08BFT-WFX14BFT.


Dimensional Data

Dimensions	BELT DRIVE MODELS						
	WFX08BFT	WFX10BFT	WFX13BFT	WFX14BFT	WFX16BFT	WFX18BFT	WFX24BFT
L ^{DIA}	35	35	35	35	39	39	46
H	30	30	30	30	32 1/2	32 1/2	36
E ^{DIA}	27 1/4	27 1/4	27 1/4	27 1/4	29 1/2	29 1/2	35 7/8
X	5 3/4	5 3/4	5 3/4	5 3/4	6 1/2	6 1/2	7
Wo ^{SQ}	16	16	16	16	20	20	25

Note: Maximum Motor size is 2 HP. for wall mounted Fumex units.

All dimensions in inches.

Material: Spun Aluminum Housing

 PENNBARRY™ 1401 North Plano Road, Richardson, TX 75081 Ph: 972.234.3202 Fax: 972.497.0468 www.PennBarry.com	<h2 style="margin: 0;">Submittal Sheet</h2> <h3 style="margin: 0;">Fumex - Belt Drive</h3> <h4 style="margin: 0;">Wall Mounted Fatrap</h4> <h4 style="margin: 0;">Spun Aluminum</h4> <h4 style="margin: 0;">Centrifugal Wall Exhauster</h4>
--	---

This drawing illustrates our understanding of order requirements. When approved, it represents details for fabrication, as such, PennBarry will not be responsible for revisions in the field or other changes after release for fabrication. Published and protected by PennBarry, Richardson, TX. All rights reserved. May not be reproduced partially or in full without permission from the publisher. No rights conveyed to manufacture partially or in full, use or sell either the method of construction represented or any invention in any way related thereto.

Form ES-WFX-2
Revised March 2005