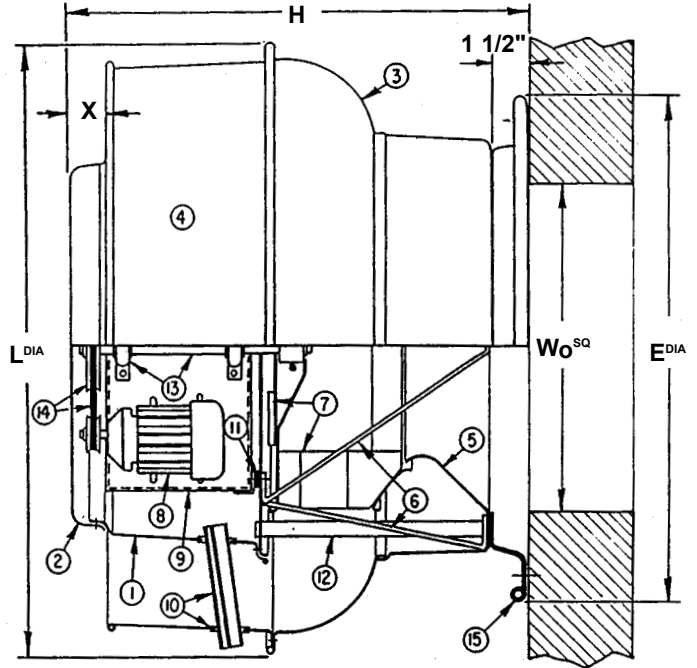
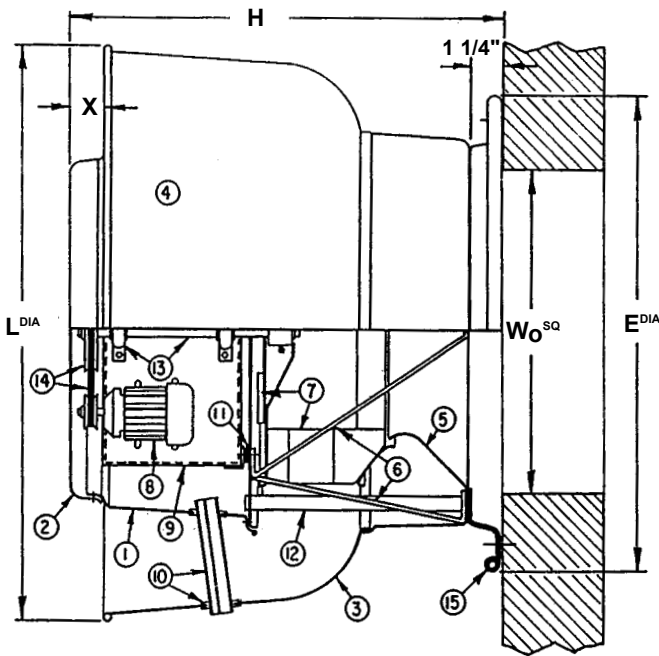


# Fumex - Belt Drive - Wall Mounted

## WFX08B-WFX14B

## WFX16B-WFX24B



### Legend

- |  |  |
|--|--|
| 1. Motor Dome                              | 9. Motor Support Plate                                 |
| 2. Motor Dome Top                          | 10. Cooling Tube & Gaskets<br>(Alternate Wire Passage) |
| 3. Discharge Apron*                        | 11. Anti-Vibration Mounts                              |
| 4. Windband*                               | 12. Conduit Guide                                      |
| 5. Spun Inlet Venturi                      | 13. Fan Shaft & Bearings                               |
| 6. Tri-Strut™ Brace                        | 14. Belt & Pulley                                      |
| 7. Centrifugal Fan Wheel (With Intake Fan) | 15. Spun Bead Mounting Flange                          |
| 8. Motor (2 Hp Max.)                       |  |

\* Discharge apron & windband is one piece on sizes WFX08B-WFX14B


### Dimensional Data

Dimensions	Belt Drive Models						
	WFX08B	WFX10B	WFX13B	WFX14B	WFX16B	WFX18B	WFX24B
L <sup>DIA</sup>	35	35	35	35	39	39	46
H	30	30	30	30	32 1/2	32 1/2	36
E <sup>DIA</sup>	27 1/4	27 1/4	27 1/4	27 1/4	29 1/2	29 1/2	35 7/8
X	5 3/4	5 3/4	5 3/4	5 3/4	6 1/2	6 1/2	7
Wo <sup>SQ</sup>	16	16	16	16	20	20	25

Note: Maximum motor size is 2 HP for wall mounted Fumex units.

All dimensions in inches.

**Material:** Spun Aluminum Housing

 <p style="text-align: center;"><b>PENNBARRY™</b></p> <p>1401 North Plano Road, Richardson, TX 75081 Ph: 972.234.3202 Fax: 972.497.0468 www.PennBarry.com</p>	<h2 style="margin: 0;">Submittal Sheet</h2> <h3 style="margin: 0;">Fumex - Belt Drive</h3> <h3 style="margin: 0;">Wall Mounted</h3> <h3 style="margin: 0;">Spun Aluminum</h3> <h3 style="margin: 0;">Centrifugal Wall Exhauster</h3>
--	--

This drawing illustrates our understanding of order requirements. When approved, it represents details for fabrication, as such, PennBarry will not be responsible for revisions in the field or other changes after release for fabrication. Published and protected by PennBarry, Richardson, TX. All rights reserved. May not be reproduced partially or in full without permission from the publisher. No rights conveyed to manufacture partially or in full, use or sell either the method of construction represented or any invention in any way related thereto.

**Form ES-WFX-1**  
Revised March 2005