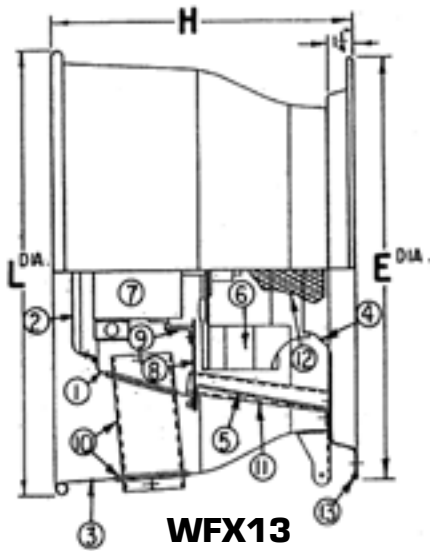
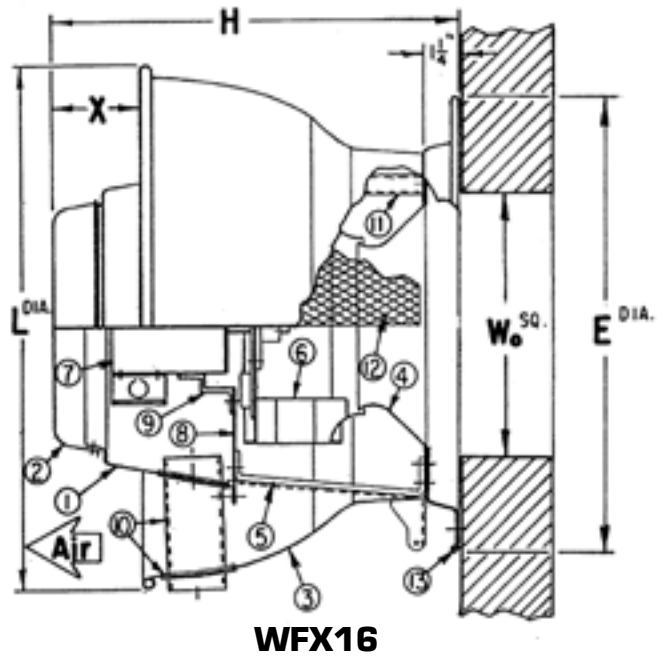
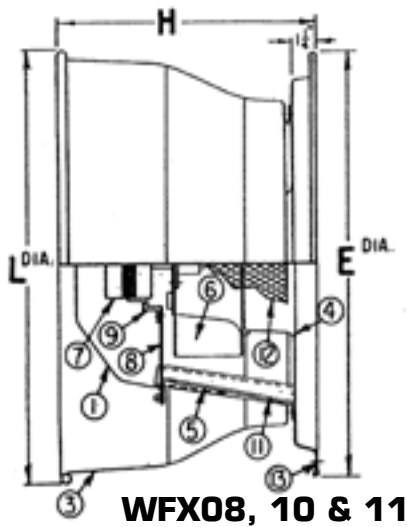


Fumex - Direct Drive - Wall Mounted



Legend

- | | |
|--|---|
| 1. Motor Hood | 7. Motor |
| 2. Motor Hood Top
(Models WFX13 & WFX16) | 8. Top Plate |
| 3. Discharge Apron | 9. Motor Mounting Brackets |
| 4. Spun Venturi | 10. Cooling Tube & Gaskets (Models WFX13 & WFX16) |
| 5. Structural Support Braces | 11. Conduit Guide |
| 6. Centrifugal Fan Wheel
(With Cooling Vanes) | 12. Aluminum Bird Screen |
| | 13. Spun Bead Mounting Flange |

Dimensional Data

Dimensions	Standard and Green Plus Direct Drive Models					
	WFX08SR	WFX10SR	WFX11VSR/Q	WFX13VSR/Q	WFX16VSR, 16Q	WFX18VSR, 16Q
L ^{DIA.}	25	25	25	25 1/2	30 3/4	39
H	16 7/8	16 7/8	16 7/8	17 7/8	24 1/4	32 1/2
E ^{DIA.}	24	24	24	24	24	29 1/2
X	-	-	-	-	6	6
W ₀ ^{SQ.}	9	11 1/2	11 1/2	11 1/2	16	20

All dimensions in inches.

Material: Spun Aluminum Housing



PENNBARRY™

605 Shiloh Rd, Plano, TX 75074
Ph: 972.212.4700 Fax: 972.212.4702
www.PennBarry.com

Submittal Sheet

**Fumex - Direct Drive
Wall Mounted
Spun Aluminum Centrifugal
Wall Exhausters**

This drawing illustrates our understanding of order requirements. When approved, it represents details for fabrication, as such, PennBarry will not be responsible for revisions in the field or other changes after release for fabrication. Published and protected by PennBarry, Richardson, TX. All rights reserved. May not be reproduced partially or in full without permission from the publisher. No rights conveyed to manufacture partially or in full, use or sell either the method of construction represented or any invention in any way related thereto.

Form ES-WFX-3

Revised March 2013