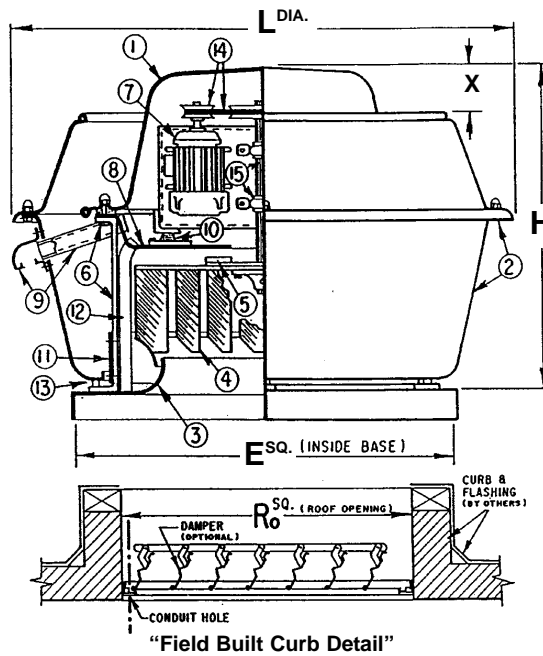


Fumex - Belt Drive



Legend

- | | | |
|---------------------------|-----------------------------------|--------------------------|
| 1. Motor Dome | 6. Main Brace Fastening Assembly | 11. Weather Baffle |
| 2. Upper & Lower Windband | 7. Motor* | 12. Conduit Graze |
| 3. Spun Inlet Venturi | 8. Motor Support Plate | 13. Drainage Area |
| 4. Centrifugal Fan Wheel | 9. Cooling Tube with Weather Cowl | 14. Belt and Pulleys |
| 5. Intake Fan | 10. Anti-Vibration Mounts | 15. Fan Shaft & Bearings |

Dimensional Data


Dimensions	FMX50B
L ^{DIA.}	78
H	48
E ^{†SQ.}	59
Ro ^{SQ.}	50
X	4

All dimensions in inches.

† Outside dimension of curb should be 1 1/2" less than 'E' dimension.

* At PennBarry's option, large frame motors may be removed after testing and shipped separately.

Material: Spun Aluminum Housing

 PENNBARRY™ 1401 North Plano Road, Richardson, TX 75081 Ph: 972.234.3202 Fax: 972.497.0468 www.PennBarry.com	<h2>Submittal Sheet</h2> <h3>Fumex</h3> <h4>High Capacity - Belt Drive Spun Aluminum Centrifugal Upblast Roof Exhauster</h4>
---	--