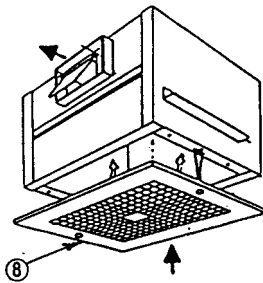


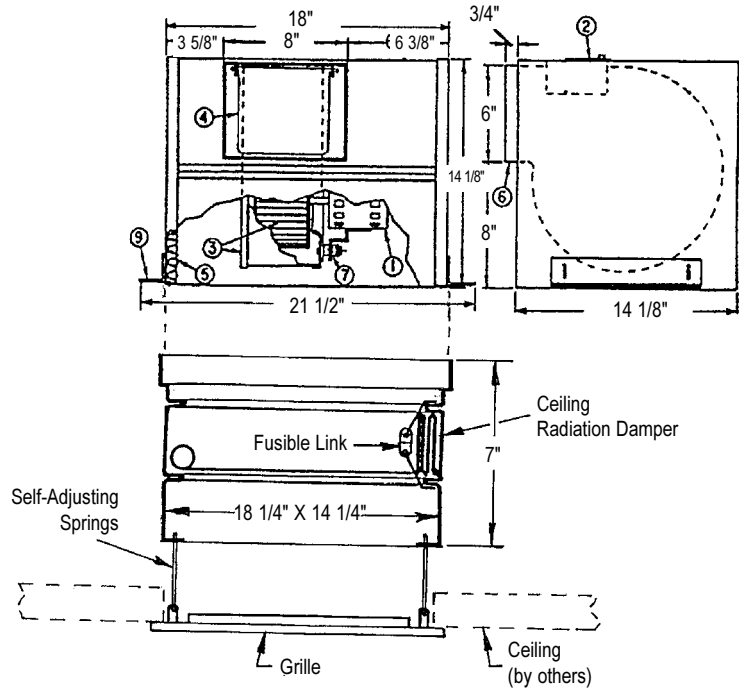
Zephyr with Ceiling Radiation Damper Model Z10S/H

Legend

1. Permanently Lubricated Motor
2. Accessible Terminal Box & Receptacle
3. Centrifugal Blower Wheel & Housing
4. Backdraft Damper
5. Acoustically Insulated Housing
6. Duct Sleeve
7. Anti-Vibration Grommets
8. Removable Decorator Deluxe Grille (85% Free Area) with Self-Adjusting Springs
9. Adjustable Mounting Flange



'RA' (Standard)
Ceiling Mounted



(Model CFD-20-DDA10) 18 1/4" X 14 1/4"

Note: Zephyr and CFD-20-DDA3 Ceiling Radiation Dampers are shipped in separate cartons for joining through field installation.

Optional Accessories

Speed Control & Time Delay Switch	Sloped Roof Cap Wall Cap	Flat Roof Cap	Brick Vent
Speed Control: Model LT30 Time Delay: Model AM12	Model SL20	Model WCF08	Model B100

Material: Galvanized Steel Housing



PENNBARRY™

1401 North Plano Road, Richardson, TX 75081

Ph: 972.234.3202 Fax: 972.497.0468

www.PennBarry.com

Submittal Sheet
Zephyr Ceiling Fan
Quiet In-Line Exhaust Fan
With Ceiling Radiation Damper

This drawing illustrates our understanding of order requirements. When approved, it represents details for fabrication, as such, PennBarry will not be responsible for revisions in the field or other changes after release for fabrication. Published and protected by PennBarry, Richardson, TX. All rights reserved. May not be reproduced partially or in full without permission from the publisher. No rights conveyed to manufacture partially or in full, use or sell either the method of construction represented or any invention in any way related thereto.

Form ES-ZD2

Revised March 2005