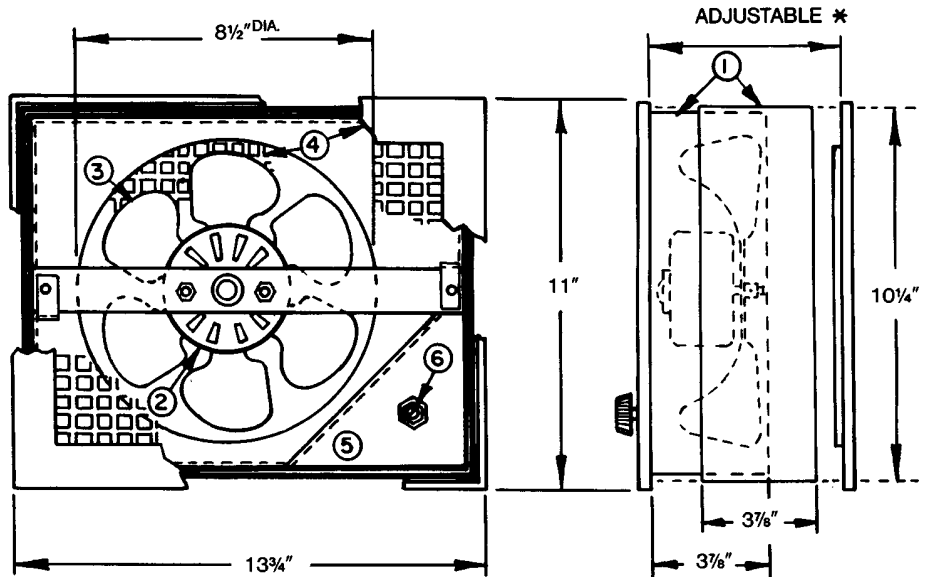
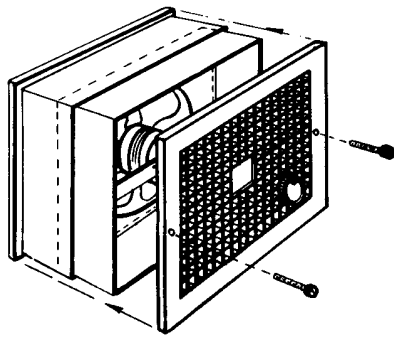


Transfan Model TF8



Legend

1. Adjustable Sleeve Housing
2. Electric Fan Motor
3. Fan Blade
4. Molded Plastic Face Grilles
5. Built in Junction Box
6. Speed Control Switch

* Installs in walls 3 3/4" to 5" thick with adjustable sleeve.

Dimensional Data

Model No.	Sone Level	Motor RPM	Shipping Weight	Grille Free Area	HP	Fan Capacity CFM at 0" SP
TF8	2.2	1490	9.5 lbs.	85%	1/50	255

Electrical Characteristic: 115/1/60

Material: Galvanized Steel



1401 North Plano Road, Richardson, TX 75081
Ph: 972.234.3202 Fax: 972.497.0468
www.PennBarry.com

Submittal Sheet

**Model TF8
Transfan
Room to Room Fan**

This drawing illustrates our understanding of order requirements. When approved, it represents details for fabrication, as such, PennBarry will not be responsible for revisions in the field or other changes after release for fabrication. Published and protected by PennBarry, Richardson, TX. All rights reserved. May not be reproduced partially or in full without permission from the publisher. No rights conveyed to manufacture partially or in full, use or sell either the method of construction represented or any invention in any way related thereto.

Form ES-TF-780
Revised March 2005