

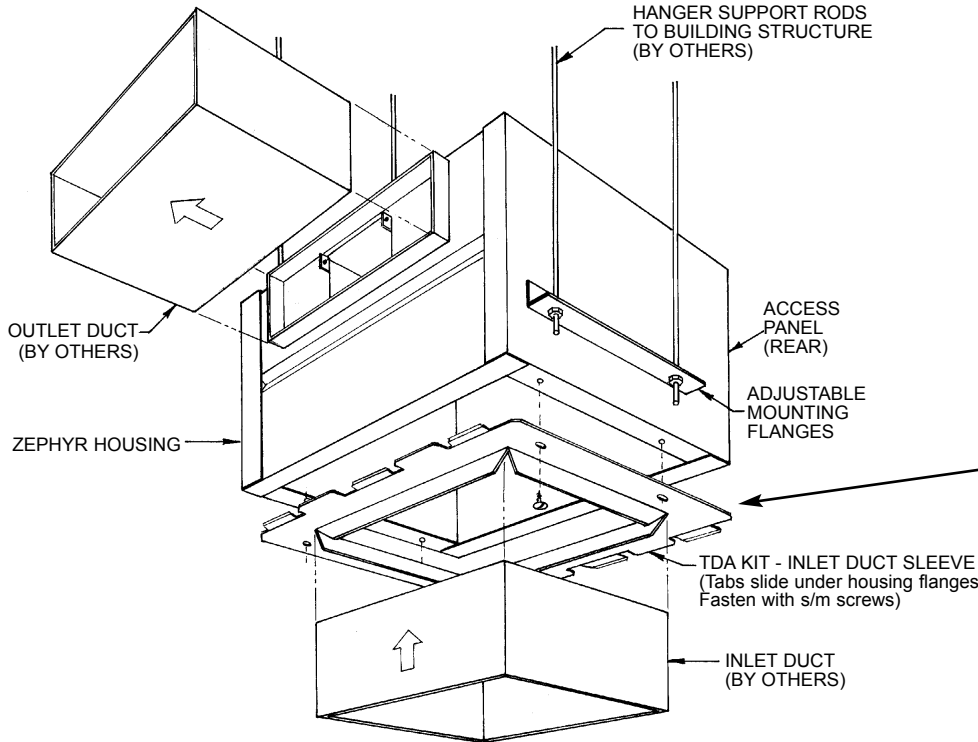


**PLEASE READ AND SAVE THESE INSTRUCTIONS.**

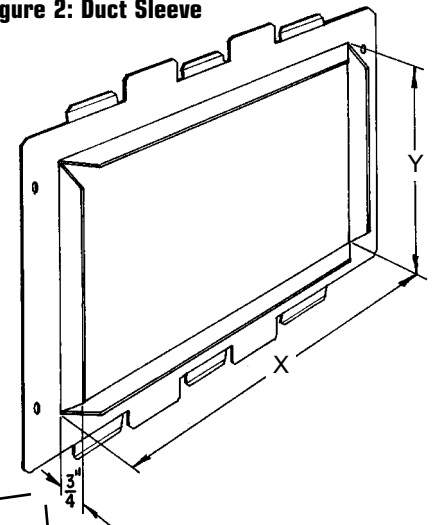
Read carefully before attempting to assemble, install, operate or maintain the product described. Protect yourself and others by observing all safety information. Failure to comply with instructions could result in personal injury and/or property damage! Retain instructions for future reference.

# Zephyr TDA Kit

**Figure 1: TDA-RA' (Inline Right Angle)**



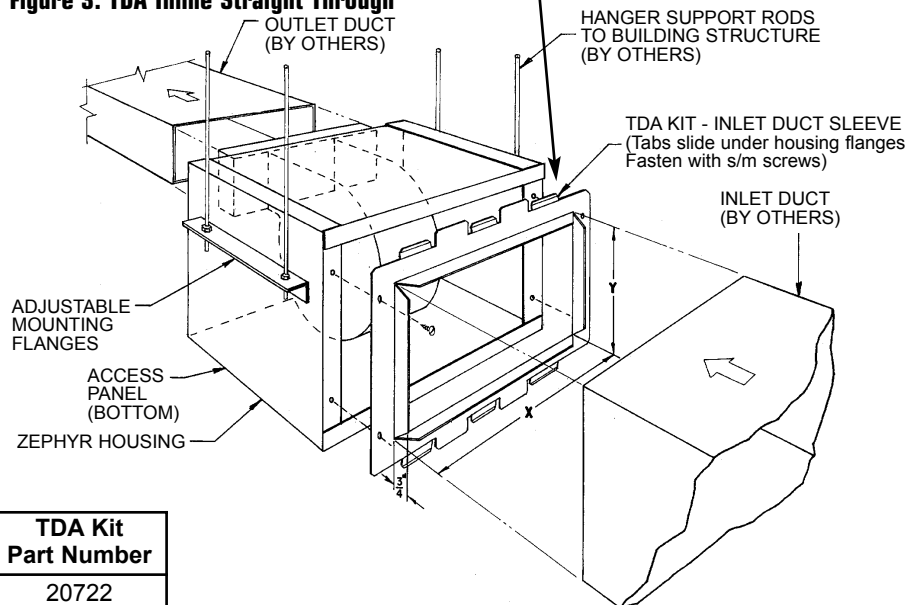
**Figure 2: Duct Sleeve**



**Instructions**

1. For TDA-RA (In-line right angle) configuration, the inlet duct sleeve is installed instead of the plastic grill.
2. For TDA (Inline straight through) configuration, FIRST remove the rear access panel and install it in place of the plastic grill. Then, install the inlet duct sleeve in place of the rear access panel.
3. Regardless of configuration, slide the inlet duct sleeve tabs underneath the housing flanges.
4. Fasten inlet duct sleeve to housing with (4) sheet metal screws supplied.

**Figure 3: TDA Inline Straight Through**



**Table1: Dimensional Data**

Fan Model	TDA Panel		TDA Kit Part Number
	X	Y	
Z3, Z5, Z6, Z7	10	6	20722
Z8, Z81, Z9	10	8	20723
Z10, Z11	14	10	20724
Z101, Z102, Z111, Z12, Z121	20	10	20725

All dimensions are in inches.

---

# Limited Warranty

---

## What Products Are Covered

PennBarry Fans and Ventilators (each, a "PennBarry Product")

## One Year Limited Warranty For PennBarry Products

PennBarry warrants to the original commercial purchaser that the PennBarry Products will be free from defects in material and workmanship for a period of one (1) year from the date of shipment.

## Exclusive Remedy

PennBarry will, at its option, repair or replace (without removal or installation) the affected components of any defective PennBarry Product; repair or replace (without removal or installation) the entire defective PennBarry Product; or refund the invoice price of the PennBarry Product. In all cases, a reasonable time period must be allowed for warranty repairs to be completed.

## What You Must Do

In order to make a claim under these warranties:

1. You must be the original commercial purchaser of the PennBarry Product.
2. You must promptly notify us, within the warranty period, of any defect and provide us with any substantiation that we may reasonably request.
3. The PennBarry Product must have been installed and maintained in accordance with good industry practice and any specific PennBarry recommendations.

## Exclusions

These warranties do not cover defects caused by:

1. Improper design or operation of the system into which the PennBarry Product is incorporated.
2. Improper installation.
3. Accident, abuse or misuse.
4. Unreasonable use (including any use for non-commercial purposes, failure to provide reasonable and necessary maintenance as specified by PennBarry, misapplication and operation in excess of stated performance characteristics).
5. Components not manufactured by PennBarry.

## Limitations

1. In all cases, PennBarry reserves the right to fully satisfy its obligations under the Limited Warranties by refunding the invoice price of the defective PennBarry Product (or, if the PennBarry Product has been discontinued, of the most nearly comparable current product).
2. PennBarry reserves the right to furnish a substitute or replacement component or product in the event a PennBarry Product or any component of the product is discontinued or otherwise unavailable.
3. PennBarry's only obligation with respect to components not manufactured by PennBarry shall be to pass through the warranty made by the manufacturer of the defective component.

## General

**The foregoing warranties are exclusive and in lieu of all other warranties except that of title, whether written, oral or implied, in fact or in law (including any warranty of merchantability or fitness for a particular purpose).**

**PennBarry hereby disclaims any liability for special, punitive, indirect, incidental or consequential damages, including without limitation lost profits or revenues, loss of use of equipment, cost of capital, cost of substitute products, facilities or services, downtime, shutdown or slowdown costs.**

The remedies of the original commercial purchaser set forth herein are exclusive and the liability of PennBarry with respect to the PennBarry Products, whether in contract, tort, warranty, strict liability or other legal theory shall not exceed the invoice price charged by PennBarry to its customer for the affected PennBarry Product at the time the claim is made.

Inquiries regarding these warranties should be sent to: PennBarry, 1401 North Plano Road, Richardson, TX 75081.