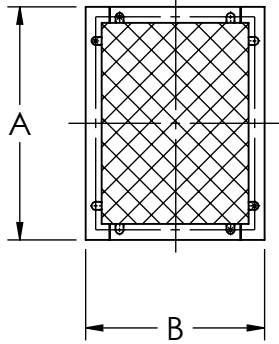
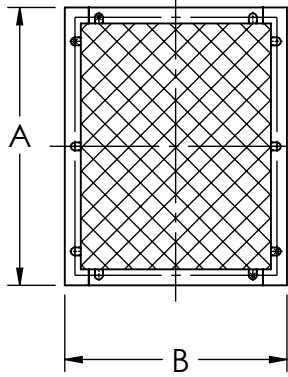


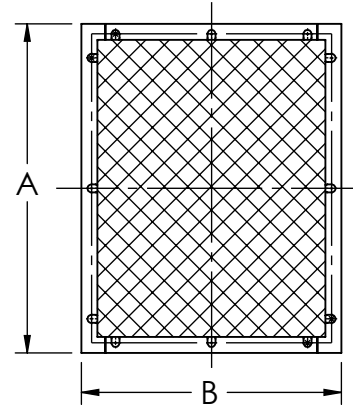
UTILITY VENT SET FAN
 UVS2, CLASS 1 AND 2, OUTLET SCREEN



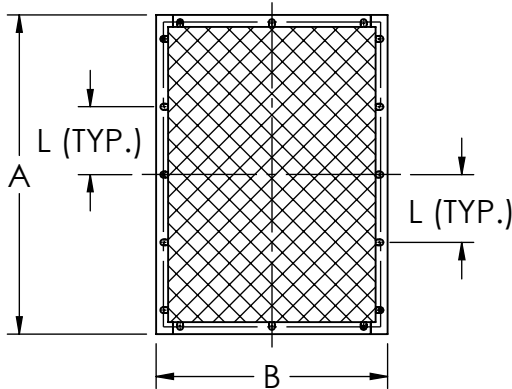
SIZES : 60-122



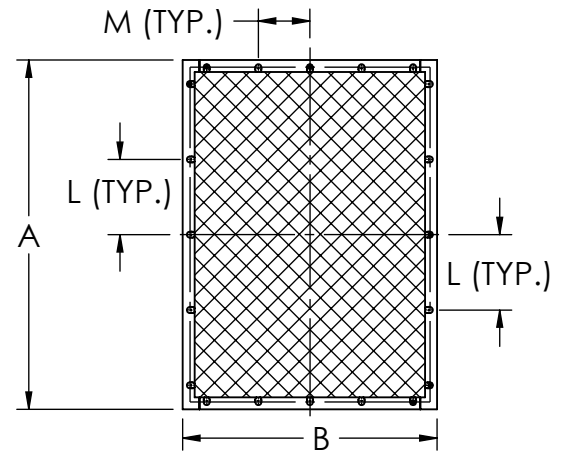
SIZES : 135-150



SIZES : 165-245



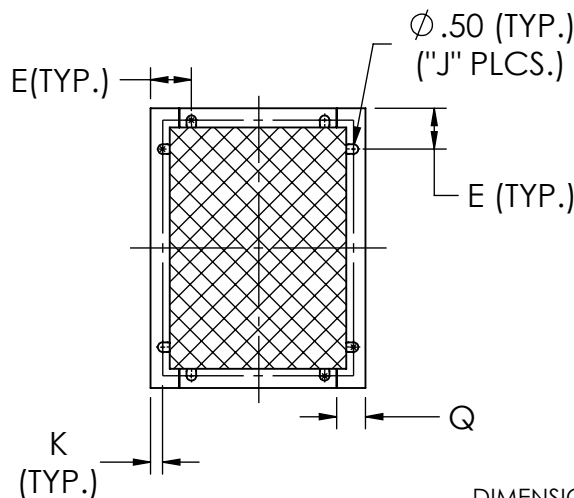
SIZE : 270



SIZE : 300-365

NOTE:

1. OUTLET SCREEN WILL BE BOLTED WITH OUTLET FLANGE.



DIMENSION TABLE CONTINUE ON NEXT PAGE...



DATE: TAG:
 JOB:
 PROJECT:
 COMPANY:
 SALES PERSON:

UTILITY VENT SET FAN
 UVS2, CLASS 1 AND 2, OUTLET SCREEN

DIMENSIONAL DETAILS

SIZE	A	B											E	H	J	
		100% W	95% W	90% W	85% W	80% W	75% W	70% W	65% W	60% W	55% W	50% W				
60	14.56	11.19	-	-	-	-	-	-	-	-	-	-	-	2.13	0.50	8.00
70	14.56	11.19	-	-	-	-	-	-	-	-	-	-	-	2.13	0.50	8.00
80	14.56	11.19	-	-	-	-	-	-	-	-	-	-	-	2.13	0.50	8.00
105	14.56	11.19	-	-	-	-	-	-	-	-	-	-	-	2.13	0.50	8.00
122	16.06	12.88	12.75	12.56	12.44	12.25	12.06	-	-	-	-	-	-	2.13	0.50	8.00
135	17.38	13.88	13.75	13.56	13.38	13.19	13.00	12.81	-	-	-	-	-	2.13	0.50	10.00
150	18.88	15.06	14.88	14.69	14.50	14.31	14.06	13.88	13.69	13.50	-	-	-	2.13	0.50	10.00
165	20.56	16.25	16.06	15.81	15.63	15.44	15.19	14.94	14.75	14.50	14.31	-	-	2.13	0.50	12.00
182	23.06	17.06	16.88	16.63	16.38	16.09	15.88	15.63	15.38	15.13	14.88	14.63	-	2.13	0.50	12.00
200	25.50	18.88	18.63	18.38	18.13	17.88	17.63	17.38	17.00	16.75	16.50	16.25	-	2.50	0.63	12.00
222	28.00	20.63	20.38	20.13	19.75	19.50	19.25	18.88	18.63	18.25	18.00	17.63	-	2.50	0.63	12.00
245	30.50	22.25	22.00	21.63	21.38	21.00	20.63	20.38	20.00	19.63	19.38	19.13	-	2.50	0.63	12.00
270	33.25	24.13	23.88	23.50	23.13	22.88	22.38	22.00	21.63	21.25	20.88	20.63	-	2.50	0.63	16.00
300	36.38	26.50	26.13	25.75	25.38	25.00	24.50	24.13	23.75	23.38	22.88	22.63	-	2.50	0.63	20.00
330	39.69	28.75	28.38	27.88	27.50	27.13	26.63	26.13	25.75	25.25	24.88	24.50	-	2.50	0.63	20.00
365	43.56	31.38	-	-	-	26.00	-	-	-	-	-	23.12	-	2.50	0.63	20.00
402	48.13	34.76	-	-	-	28.76	-	-	-	-	-	25.51	-	2.88	0.75	20.00
445	52.76	38.01	-	-	-	31.76	-	-	-	-	-	28.13	-	2.88	0.75	20.00
490	57.51	41.51	-	-	-	35.01	-	-	-	-	-	31.01	-	2.88	0.75	20.00
542	63.19	45.51	-	-	-	38.76	-	-	-	-	-	34.38	-	2.88	0.75	20.00

SIZE	K	L	M											Q	
			100% W	95% W	90% W	85% W	80% W	75% W	70% W	65% W	60% W	55% W	50% W		
60	0.63	-	-	-	-	-	-	-	-	-	-	-	-	-	1.50
70	0.63	-	-	-	-	-	-	-	-	-	-	-	-	-	1.50
80	0.63	-	-	-	-	-	-	-	-	-	-	-	-	-	1.50
105	0.63	-	-	-	-	-	-	-	-	-	-	-	-	-	1.50
122	0.63	-	-	-	-	-	-	-	-	-	-	-	-	-	1.50
135	0.63	-	-	-	-	-	-	-	-	-	-	-	-	-	1.50
150	0.63	-	-	-	-	-	-	-	-	-	-	-	-	-	1.50
165	0.63	-	-	-	-	-	-	-	-	-	-	-	-	-	1.50
182	0.63	-	-	-	-	-	-	-	-	-	-	-	-	-	1.50
200	0.75	-	-	-	-	-	-	-	-	-	-	-	-	-	1.75
222	0.75	-	-	-	-	-	-	-	-	-	-	-	-	-	1.75
245	0.75	-	-	-	-	-	-	-	-	-	-	-	-	-	1.75
270	0.75	7.06	-	-	-	-	-	-	-	-	-	-	-	-	1.75
300	0.75	7.84	5.38	5.28	5.19	5.09	5.00	4.88	4.78	4.69	4.59	4.47	4.41	-	1.75
330	0.75	8.67	5.94	5.84	5.72	5.63	5.53	5.41	5.28	5.19	5.06	4.97	4.88	-	1.75
365	0.75	9.64	6.59	-	-	-	6.13	-	-	-	-	-	5.44	-	1.75
402	0.88	10.56	7.25	-	-	-	6.75	-	-	-	-	-	5.94	-	2.00
445	0.88	11.75	8.06	-	-	-	7.50	-	-	-	-	-	6.63	-	2.00
490	0.88	12.94	8.94	-	-	-	8.31	-	-	-	-	-	7.31	-	2.00
542	0.88	14.38	9.94	-	-	-	9.25	-	-	-	-	-	8.19	-	2.00

ALL DIMENSIONS ARE IN INCHES.