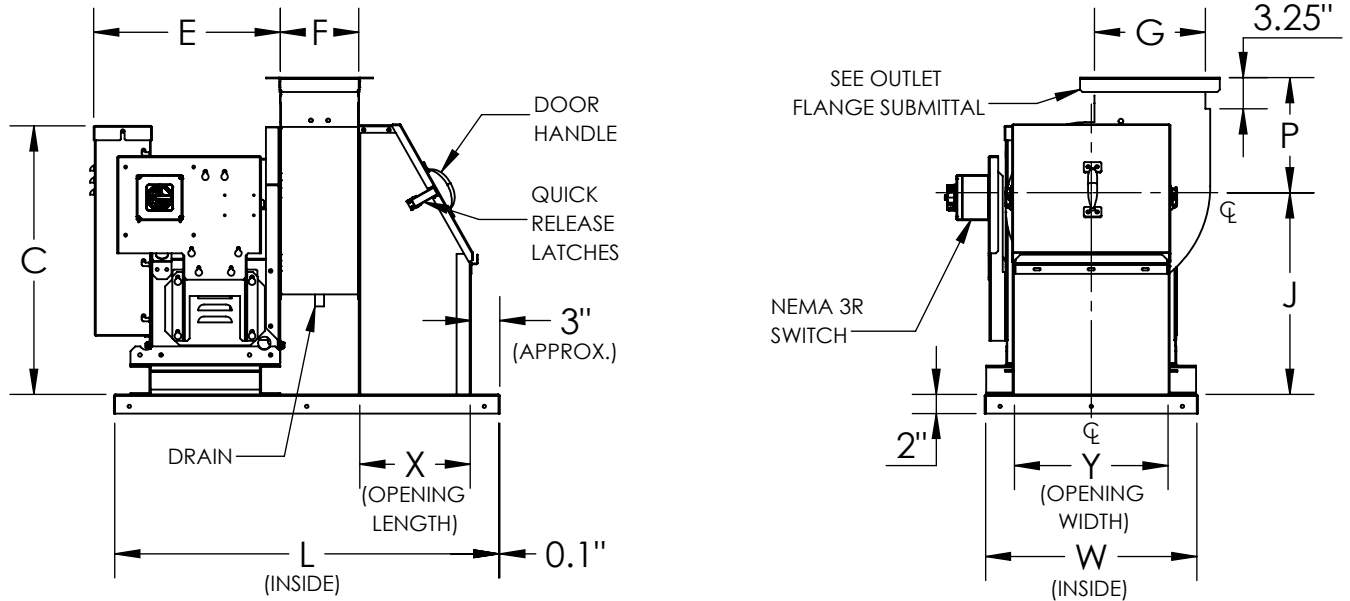




DATE: TAG:
 JOB:
 PROJECT:
 COMPANY:
 SALES PERSON:

UVS2, CLASS 1, ARRANGEMENT-10
 INLET BOX AND CURB CAP FOR UL RESTAURANT GREASE EXHAUST



INLET VIEW

STANDARD FEATURES:

1. Discharge: UB
2. Rotation: CW/CCW (CW shown above)
3. Steel wheel
4. Welded and Coated Housing, Bolted and Galvanized Pedestal
5. Welded and Coated Inlet Box and Curb Cap
6. 1045 TG&P Shaft
7. 80K L10 Life Bearings
8. Adjustable Motor Base Assembly
9. Access Door – (Bolted or Hinged)
10. Housing Drain & Plug - 3/4" NPT
11. Pre-Wired Switch NEMA 3R
12. Weather Cover

13. High temperature paint
14. Shaft Seal (Ceramic)
15. Flanged Outlet
16. Heat Slinger

OPTIONAL ACCESSORIES:

1. Speed Controllers (shipped loose only)
2. Grease Containment with optional Absorbent
3. Outlet Stack
4. Curb
5. Extended Lube Lines

DIMENSIONAL DATA

Size	C	E	F	G	J	L	P	W	X	Y	MAX. WT. (lbs)	MAX RPM	MAX. MTR
60	27.94	19.44	8.19	11.56	21.00	40.00	12.00	22.00	11.50	16.00	208	4400	145T
70	27.94	19.44	8.19	11.56	21.00	40.00	12.00	22.00	11.50	16.00	208	4400	145T
80	27.94	19.44	8.19	11.56	21.00	40.00	12.00	22.00	11.50	16.00	208	4400	145T
105	27.94	19.44	8.19	11.56	21.00	40.00	12.00	22.00	11.50	16.00	208	4400	145T
122	27.94	21.44	9.88	13.06	21.00	45.00	13.50	25.00	13.00	19.00	249	3550	182T
135	28.31	21.44	10.88	14.38	21.38	46.00	14.25	28.00	13.00	22.00	274	3222	182T
150	29.94	22.44	12.06	15.88	23.00	47.00	14.75	30.00	13.00	24.00	305	2900	184T
165	31.56	22.44	13.25	17.56	24.63	52.00	14.75	33.00	16.00	27.00	358	2636	184T
182	35.19	26.06	14.06	20.06	26.63	56.00	15.00	35.00	17.50	29.00	426	2300	215T
200	37.31	26.06	15.38	22.00	28.75	61.00	16.25	38.00	20.50	32.00	525	2100	215T
222	39.81	26.06	17.13	24.50	31.25	64.00	18.00	42.00	22.00	36.00	630	1888	215T
245	43.94	31.56	18.75	27.00	33.75	73.00	19.75	45.00	24.00	39.00	768	1714	215T
270	46.94	31.56	20.63	29.75	36.75	74.00	21.75	48.00	22.50	42.00	870	1556	254T

ALL DIMENSIONS ARE IN INCHES, WEIGHTS ARE APPROXIMATE AND DOES NOT INCLUDE DRIVES OR ACCESSORIES.

REVISION:

FORM:

REPLACES: