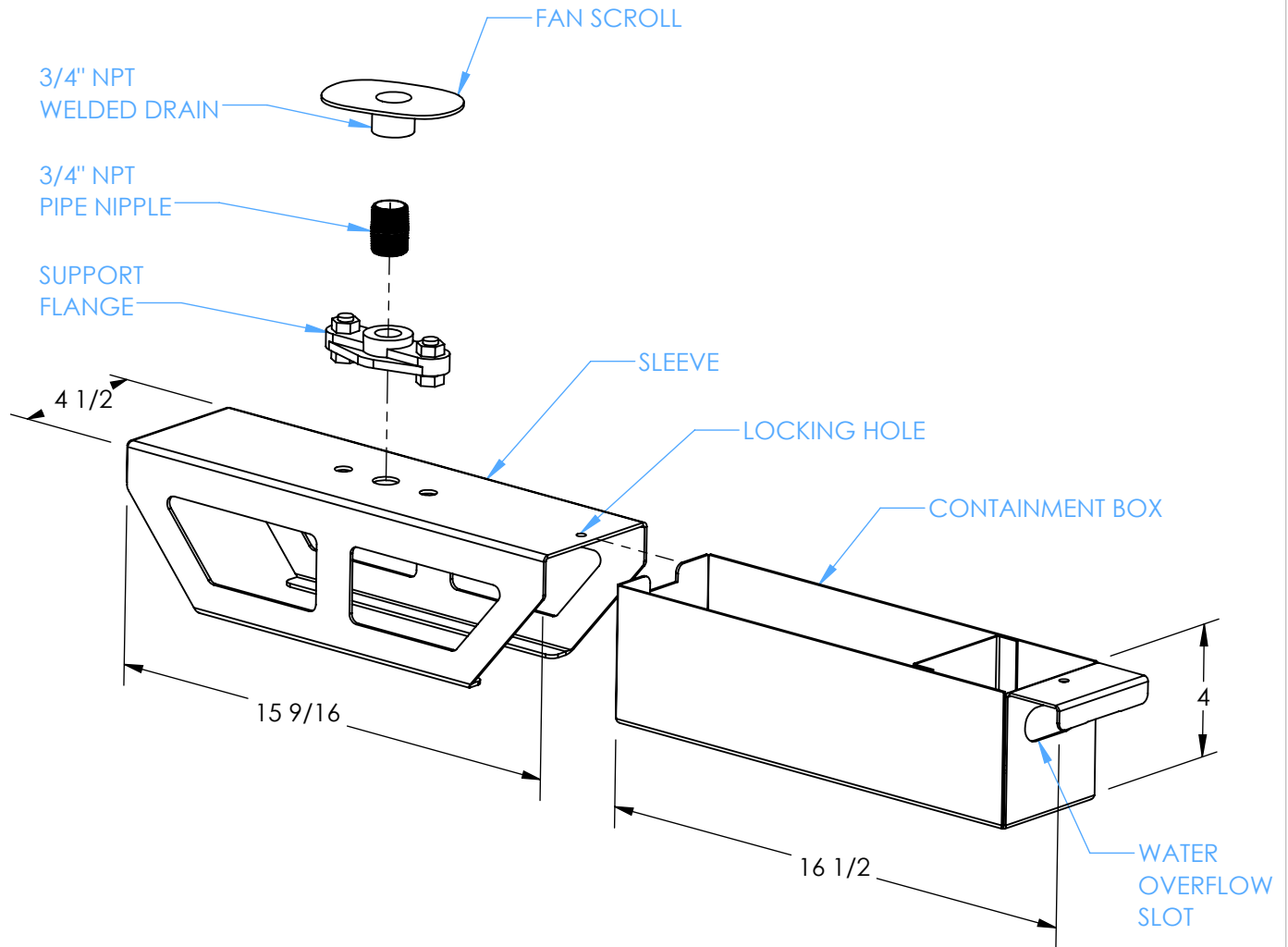


UVS GREASE COLLECTOR



**NOTES**

1. Aluminum and welded construction
2. Box designed to contain grease on one side and drain water thru overflow slot
3. Containment box slides out from sleeve for ease of servicing
4. Optional Absorbent Sock (not shown)
5. Approximate assembly weight = 6 lbs. (box only = 3lbs.)
6. See IOM for additional details

ALL DIMENSIONS ARE IN INCHES