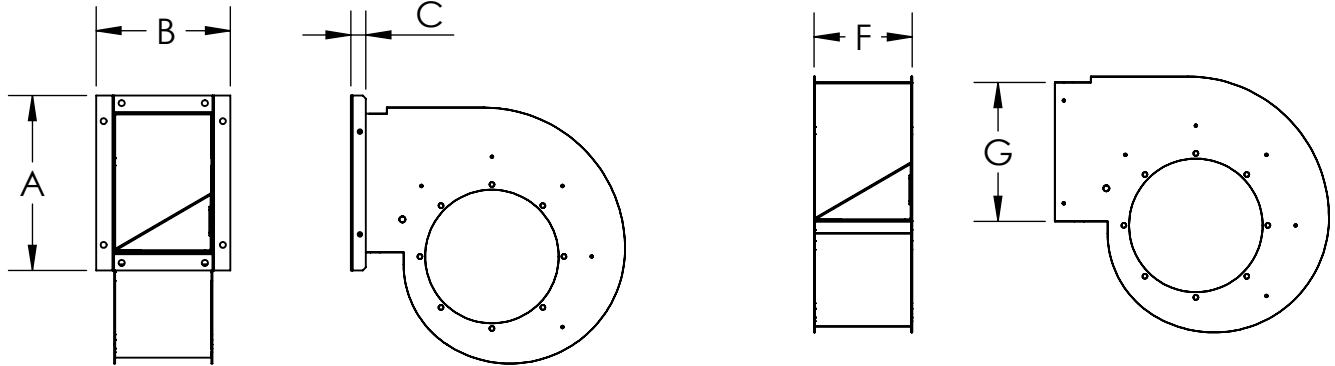
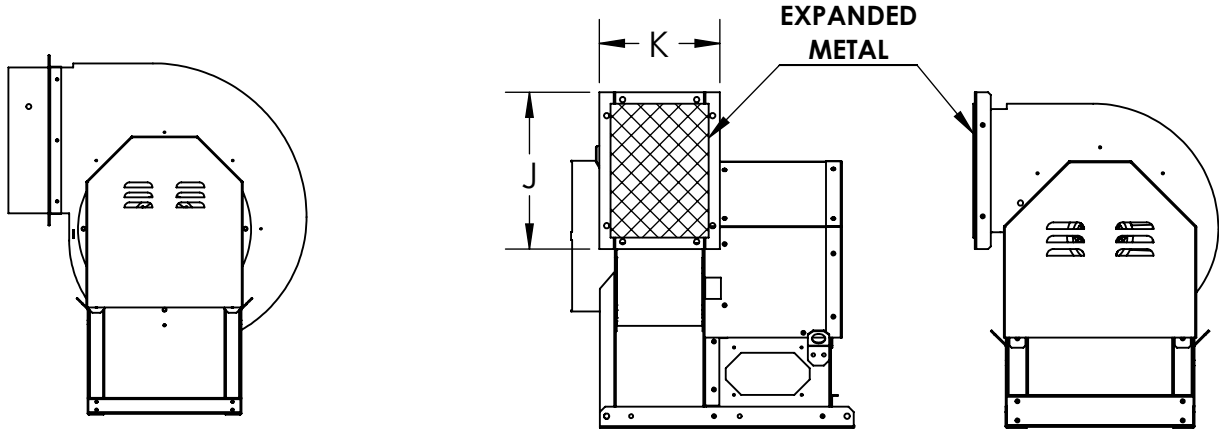


UTILITY VENT SET FAN
 UVS2, CLASS-1, OUTLET ACCESSORIES



FLANGED OUTLET

SLIP OUTLET



BOLT-ON DAMPER

OUTLET SCREEN

DIMENSIONAL DATA

SIZE	A	B			C	F			G	J	K		
		100% W	80% W	50% W		100% W	80% W	50% W			100% W	80% W	50% W
60	14.56	11.19	-	-	1.25	8.19	-	-	11.56	14.69	11.31	-	-
70	14.56	11.19	-	-	1.25	8.19	-	-	11.56	14.69	11.31	-	-
80	14.56	11.19	-	-	1.25	8.19	-	-	11.56	14.69	11.31	-	-
105	14.56	11.19	-	-	1.25	8.19	-	-	11.56	14.69	11.31	-	-
122	16.06	12.88	12.25	-	1.50	9.88	9.25	-	13.06	16.19	13.00	12.38	-
135	17.38	13.88	13.19	-	1.50	10.88	10.19	-	14.38	17.50	14.00	13.31	-
150	18.88	15.06	14.31	-	1.50	12.06	11.31	-	15.88	19.00	15.19	14.44	-
165	20.56	16.25	15.44	-	1.50	13.25	12.44	-	17.56	20.69	16.38	15.56	-
182	23.06	17.06	16.06	14.63	1.50	14.06	13.06	11.63	20.06	23.19	17.19	16.22	14.75
200	25.50	18.88	17.88	16.25	1.75	15.38	14.38	12.75	22.00	25.63	19.00	18.00	16.38
222	28.00	20.63	19.50	17.63	1.75	17.13	16.00	14.13	24.50	28.13	20.75	19.63	17.75
245	30.50	22.25	21.00	19.13	1.75	18.75	17.50	15.63	27.00	30.63	22.38	21.13	19.25
270	33.25	24.13	22.88	20.63	1.75	20.63	19.38	17.13	29.75	33.38	24.25	23.00	20.75
300	36.38	26.50	25.00	22.63	1.75	23.00	21.50	19.13	32.88	36.51	26.63	25.13	22.75
330	39.68	28.75	27.13	24.50	1.75	25.25	23.63	21.00	36.19	39.81	28.88	27.25	24.63
365	43.56	31.38	29.63	26.75	1.75	27.88	26.13	23.25	40.06	43.69	31.50	29.75	26.88
402	48.13	34.75	32.88	29.63	2.00	30.75	28.88	25.63	44.13	48.25	34.88	33.00	29.75
445	52.75	38.00	35.88	32.25	2.00	34.00	31.88	28.25	48.75	52.88	38.13	36.00	32.38
490	57.50	41.50	39.13	35.13	2.00	37.50	35.13	31.13	53.50	57.63	41.63	39.25	35.25
542	63.19	45.50	42.88	38.50	2.00	41.50	38.88	34.50	59.19	63.31	45.63	43.00	38.63

ALL DIMENSIONS ARE IN INCHES

NOTES :

1. SLIP OUTLET IS STANDARD.
2. OUTLET SCREEN INCLUDES EXPANDED METAL WELDED TO BOLT-ON FLANGE.
3. BOLT-ON DAMPER OPTIONS:
 A. BACKDRAFT
 B. MOTORIZED CONTROLLED
4. BOLT-ON DAMPER REQUIRES OUTLET FLANGE.