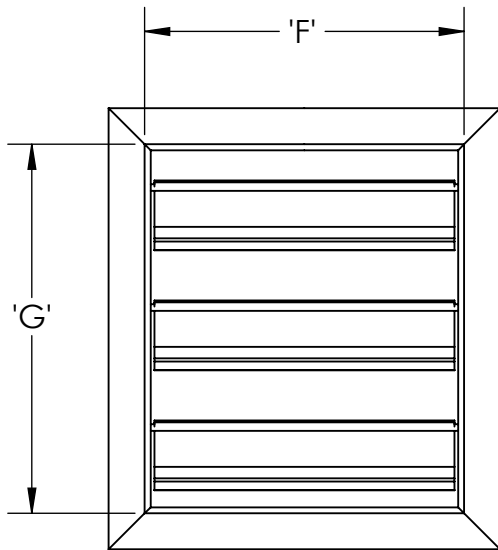


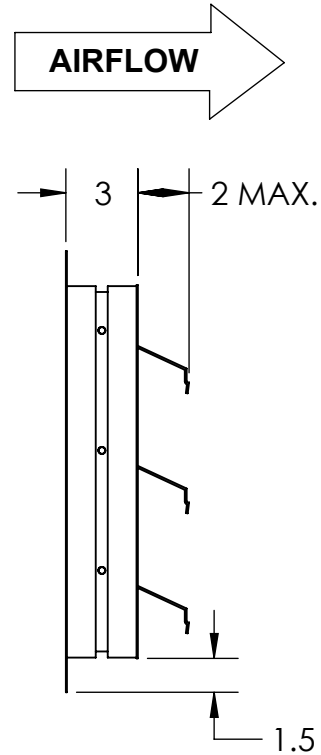


DATE: TAG:  
 JOB:  
 PROJECT:  
 COMPANY:  
 SALES PERSON:

UTILITY VENT SET FAN  
 UVS2, CLASS1, BACKDRAFT DAMPER



**BACK VIEW  
 (BLADES OPEN)**



**SIDE VIEW  
 (BLADES OPEN)**

MODEL SIZES	'F'(100% W)	'F'(80% W)	'F'(50% W)	'G'
060	8.19	-	-	11.56
070	8.19	-	-	11.56
080	8.19	-	-	11.56
105	8.19	-	-	11.56
122	9.88	9.25	-	13.06
135	10.88	10.19	-	14.38
150	12.06	11.31	-	15.88
165	13.25	12.44	-	17.56
182	14.06	13.06	11.63	20.06
200	15.38	14.38	12.75	22.00
222	17.13	16.00	14.13	24.50
245	18.75	17.50	15.63	27.00
270	20.63	19.38	17.13	29.75
300	23.00	21.50	19.13	32.88
330	25.25	23.63	21.00	36.19
365	27.88	26.13	23.25	40.06
402	30.75	28.88	25.63	44.13
445	34.00	31.88	28.25	48.75
490	37.50	35.13	31.13	53.50
542	41.50	38.88	34.50	59.19

**NOTES :**

1. Backdraft Damper to be single flanged and parallel bladed.
2. Galvanized construction.
3. Shipped loose.
4. Dampers will include Spring Assist.

ALL DIMENSIONS ARE IN INCHES

REVISION:

FORM:

REPLACES: