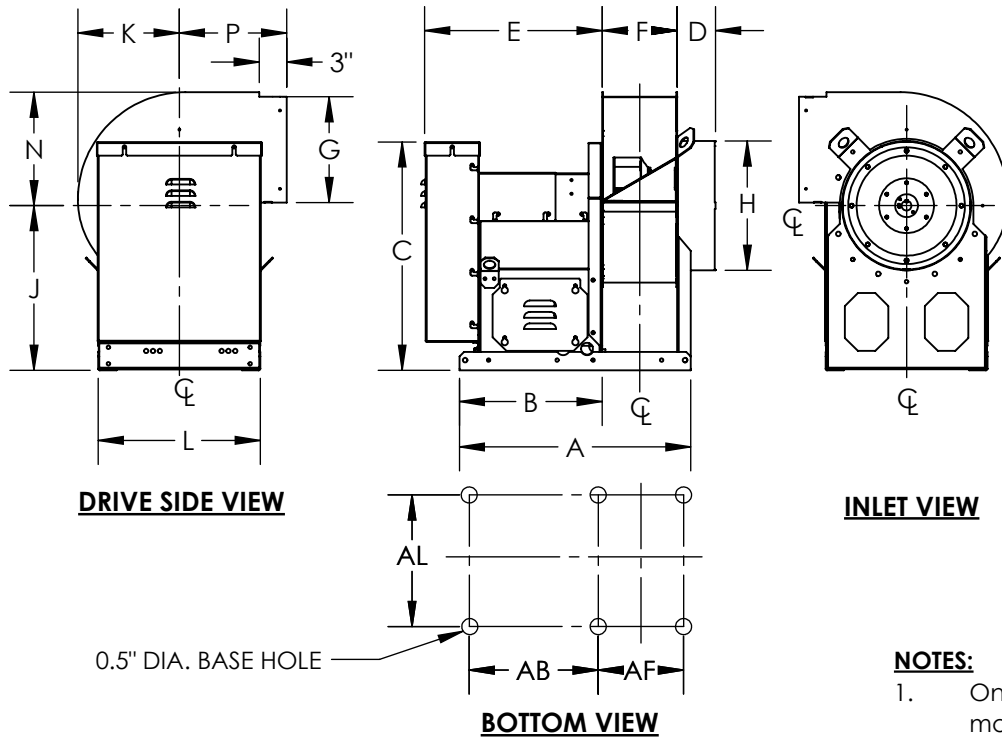




DATE: TAG:  
 JOB:  
 PROJECT:  
 COMPANY:  
 SALES PERSON:

UVS2, CLASS-1, ARRANGEMENT-10  
 UTILITY VENT SET, SIZES 60-270



**STANDARD CONSTRUCTION:**

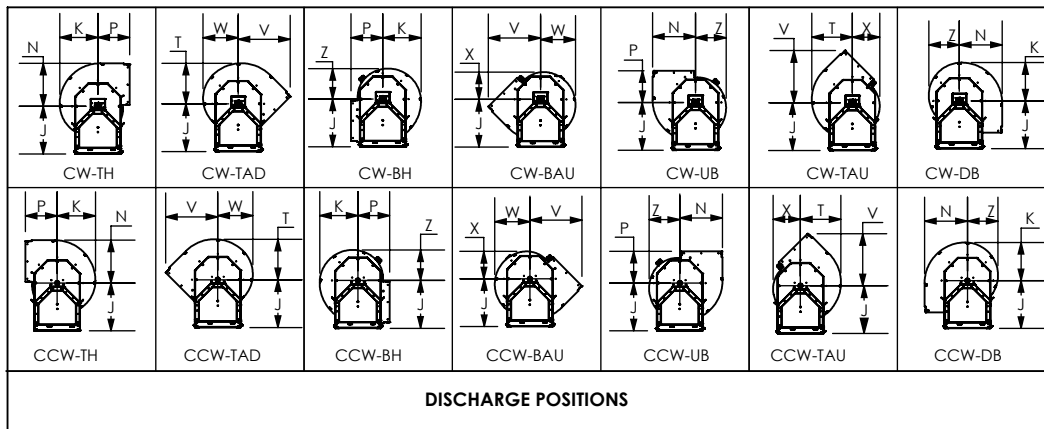
1. Welded Housing
2. Steel Wheel
3. Galvanized and Bolted Padestal
4. Slip Inlet and Outlet

**OPTIONAL ACCESSORIES:**

1. Weather Cover (shown in illustration)
2. Flanged Inlet and Outlet
3. Inlet/Outlet Companion Flanges
4. Vibration Isolators and Rails
5. Shaft Seal
6. Inlet/Outlet Guard
7. Piezo Ring
8. Pressure Transducer
9. Disconnect Switch
10. Spark Resistant Const. (Type B/C)

**NOTES:**

1. Only holes at corners are required for mounting



**DIMENSIONAL DATA**

Size	A	B	C	D	E	F	G	H	J	K	L	N	P	T	V	W	X	Z	AL	AB	AF	MAX. WT.(lbs)	MAX. RPM	MAX. MTR.
60	25.31	15.63	24.94	4.13	19.44	8.19	11.56	14.13	18.00	11.06	17.75	12.44	11.75	11.75	16.75	10.19	8.00	8.94	15.25	14.13	9.69	134	4400	145T
70	25.31	15.63	24.94	4.13	19.44	8.19	11.56	14.13	18.00	11.06	17.75	12.44	11.75	11.75	16.75	10.19	8.00	8.94	15.25	14.13	9.69	134	4400	145T
80	25.31	15.63	24.94	4.13	19.44	8.19	11.56	14.13	18.00	11.06	17.75	12.44	11.75	11.75	16.75	10.19	8.00	8.94	15.25	14.13	9.69	134	4400	145T
105	25.31	15.63	24.94	4.13	19.44	8.19	11.56	14.13	18.00	11.06	17.75	12.44	11.75	11.75	16.75	10.19	8.00	8.94	15.25	14.13	9.69	132	4400	145T
122	29.00	17.63	24.94	4.13	21.44	9.88	13.06	16.75	18.00	12.88	19.25	14.38	13.25	13.63	19.19	11.81	9.25	10.31	16.75	16.00	11.44	158	3550	182T
135	29.00	17.63	25.31	4.13	21.44	10.88	14.38	18.38	18.38	14.19	19.25	15.81	14.00	15.00	20.75	13.00	10.19	11.38	16.75	16.00	12.44	168	3222	182T
150	31.19	17.63	26.94	4.13	22.44	12.06	15.88	20.38	20.00	15.69	19.25	17.56	14.50	16.63	22.31	14.38	11.25	12.56	16.75	16.00	13.63	189	2900	184T
165	32.38	17.63	28.56	4.13	22.44	13.25	17.56	22.38	21.63	17.19	21.75	19.25	15.25	18.19	24.06	15.75	12.31	13.75	19.25	16.00	14.81	217	2636	184T
182	35.56	20.00	32.19	4.13	26.06	14.06	20.06	23.13	23.63	18.94	22.75	21.19	15.75	20.06	25.75	17.31	13.56	15.13	20.25	18.50	15.69	264	2300	215T
200	36.88	20.00	34.31	4.13	26.06	15.38	22.00	25.25	25.75	20.69	25.25	23.19	17.00	21.94	28.06	18.94	14.81	16.56	22.75	18.50	16.94	333	2100	215T
222	38.63	20.00	36.81	4.13	26.06	17.13	24.50	28.00	28.25	23.00	27.25	25.75	18.50	24.38	30.94	21.06	16.44	18.38	24.75	18.50	18.75	405	1888	215T
245	45.75	25.50	40.94	4.13	31.56	18.75	27.00	30.88	30.75	25.25	29.25	28.25	20.00	26.75	33.81	23.13	18.00	20.13	26.75	24.00	20.25	502	1714	215T
270	47.63	25.50	43.94	4.13	31.56	20.63	29.75	33.88	33.75	27.75	32.75	31.13	22.00	29.44	37.19	25.44	19.81	22.19	30.25	24.00	22.13	579	1556	254T

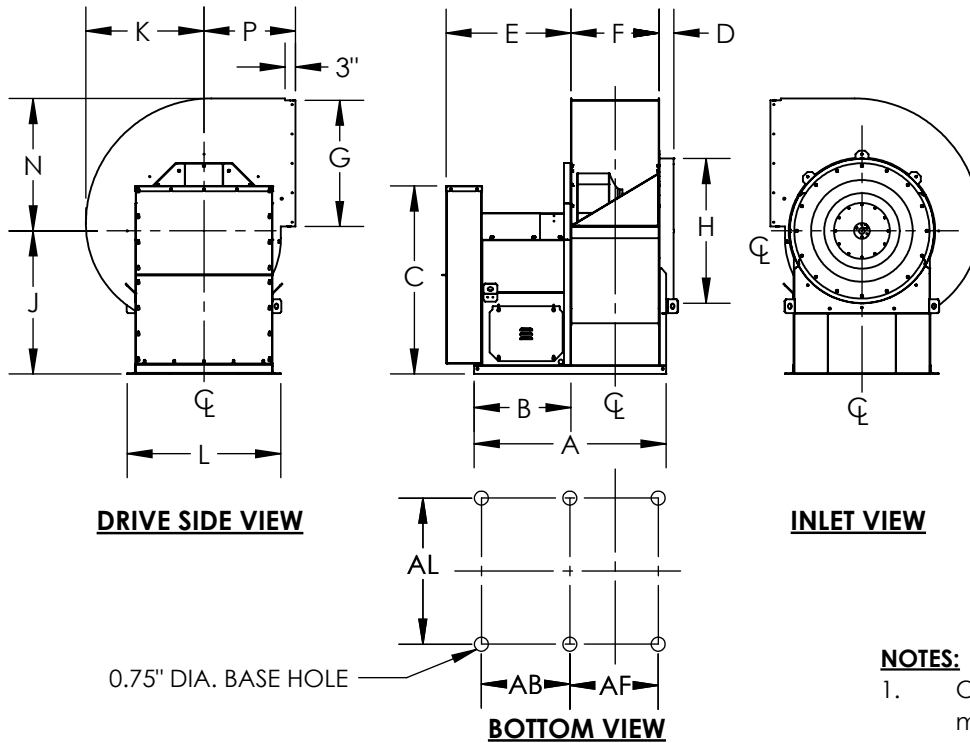
ALL DIMENSIONS ARE IN INCHES, WEIGHTS ARE APPROXIMATE AND DOES NOT INCLUDE DRIVES OR ACCESSORIES.

REVISION:	FORM:	REPLACES:
-----------	-------	-----------



DATE: TAG:  
 JOB:  
 PROJECT:  
 COMPANY:  
 SALES PERSON:

UVS2, CLASS-1, ARRANGEMENT-10  
 UTILITY VENT SET, SIZES 300-542



**STANDARD CONSTRUCTION:**

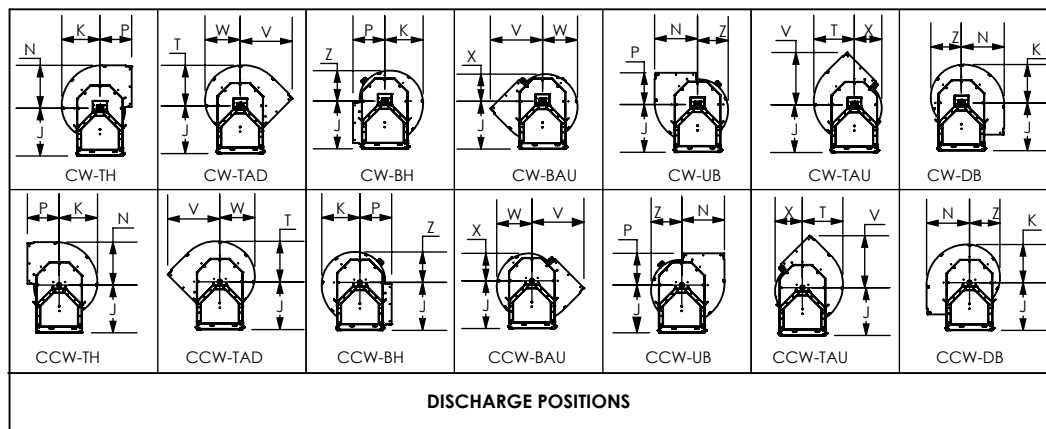
1. Welded Housing
2. Steel Wheel
3. Galvanized and Bolted Pedestal
4. Slip Inlet and Outlet

**OPTIONAL ACCESSORIES:**

1. Weather Cover (shown in illustration)
2. Flanged Inlet and Outlet
3. Inlet/Outlet Companion Flanges
4. Vibration Isolators and Rails
5. Shaft Seal
6. Inlet/Outlet Guard
7. Piezo Ring
8. Pressure Transducer
9. Disconnect Switch
10. Spark Resistant Const. (Type B/C)

**NOTES:**

1. Only holes at corners are required for mounting



**DIMENSIONAL DATA**

Size	A	B	C	D	E	F	G	H	J	K	L	N	P	T	V	W	X	Z	AL	AB	AF	MAX. WT.(lbs)	MAX. RPM	MAX. MTR.
300	52.75	27.75	50.50	4.13	35.81	23.00	32.88	37.69	37.63	30.81	40.50	34.56	23.88	32.69	40.94	28.25	21.94	24.63	38.50	25.75	24.00	890	1400	256T
330	55.00	27.75	53.88	4.13	35.81	25.25	36.19	41.44	41.00	33.81	44.00	37.94	26.25	35.88	45.00	30.94	24.13	27.00	42.00	25.75	26.25	1031	1273	284T
365	60.63	30.75	60.69	4.13	38.81	27.88	40.06	45.81	45.00	37.31	47.50	41.94	29.00	39.63	49.75	34.19	26.63	29.81	45.50	28.75	28.88	1216	1151	286T
402	63.50	30.75	64.94	4.13	38.81	30.75	44.13	50.50	49.25	41.13	51.00	46.13	32.00	43.63	54.94	37.63	29.25	32.75	49.00	28.75	31.75	1505	1044	324T
445	70.38	33.38	74.31	5.13	42.06	34.00	48.75	55.88	54.25	45.44	55.50	51.00	35.50	48.25	60.81	41.63	32.38	36.25	53.50	30.38	37.00	1926	944	324T
490	73.88	33.38	79.31	5.13	42.06	37.50	53.50	61.50	59.25	49.94	60.00	56.06	39.00	53.00	66.88	45.69	35.50	39.81	58.00	30.38	40.50	2233	857	326T
542	77.88	33.38	85.31	5.13	42.06	41.50	59.19	68.13	65.25	55.31	66.50	62.06	43.00	58.69	73.94	50.63	39.31	44.69	64.50	30.38	44.50	2790	774	364T

ALL DIMENSIONS ARE IN INCHES, WEIGHTS ARE APPROXIMATE AND DOES NOT INCLUDE DRIVES OR ACCESSORIES.

REVISION:

FORM:

REPLACES: