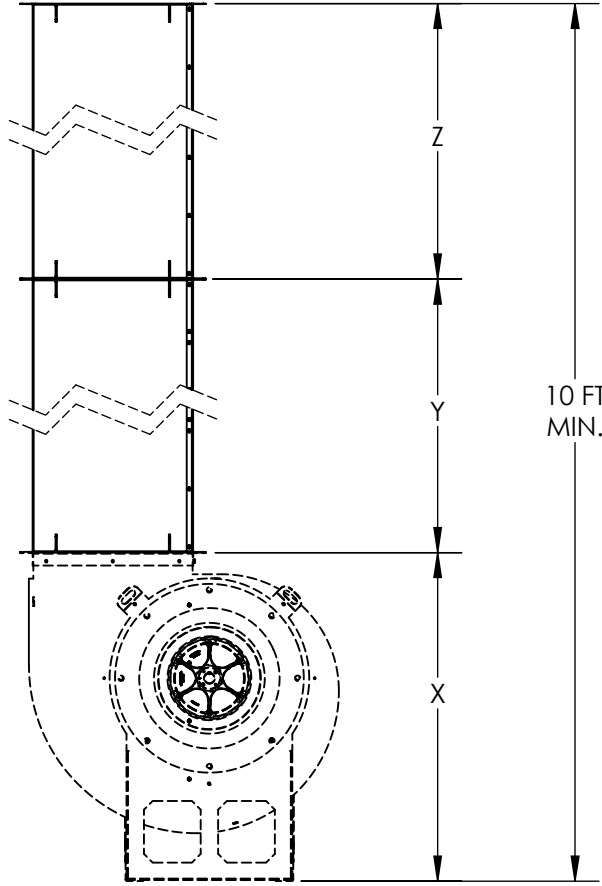
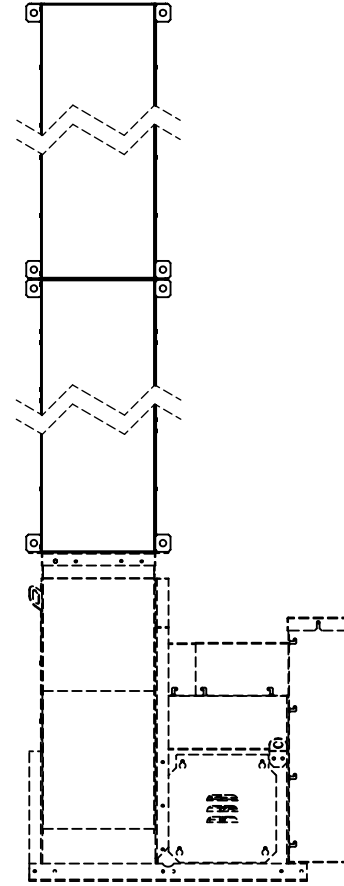


UVS1- OUTLET STACK



INLET VIEW



SIDE VIEW

DIMENSIONAL DATA

Size	X	Y	Z	STACK WT.(LB)
60	29 7/8	45 1/16	45 1/16	14
70	29 7/8	45 1/16	45 1/16	14
80	29 7/8	45 1/16	45 1/16	14
100	29 7/8	45 1/16	45 1/16	14
122	31 5/16	44 3/8	44 3/8	13
135	32 1/16	44	44	19
150	34 1/8	42 15/16	42 15/16	20
165	35 3/4	42 3/16	42 3/16	21
182	37 11/16	41 3/16	41 3/16	23
200	40 3/4	39 5/8	39 5/8	25
222	44 11/16	37 11/16	37 11/16	33
245	48 9/16	35 3/4	35 3/4	33
270	52 7/8	33 9/16	33 9/16	37
300	58 11/16	30 11/16	30 11/16	38
330	63 3/4	56 1/4		70
365	69 7/8	50 3/16		71
402	76 5/16	43 11/16		70
445	85 1/2	34 1/2		60
490	93 3/4	26 1/4		56
542	103 1/2	16 1/2		51

STANDARD CONSTRUCTION:

1. Aluminum construction with lifting lugs (not to lift entire fan).
2. Stack weight listed is for each piece of stack.
3. One piece stack for sizes 330 thru 542.
4. Use of guy wires is required. Guy wires to be specified by consulting engineer.
5. Stacks will be shipped knocked down.

ALL DIMENSIONS ARE IN INCHES, ALL WEIGHTS ARE APPROXIMATE

REVISION:	FORM:	REPLACES:
-----------	-------	-----------