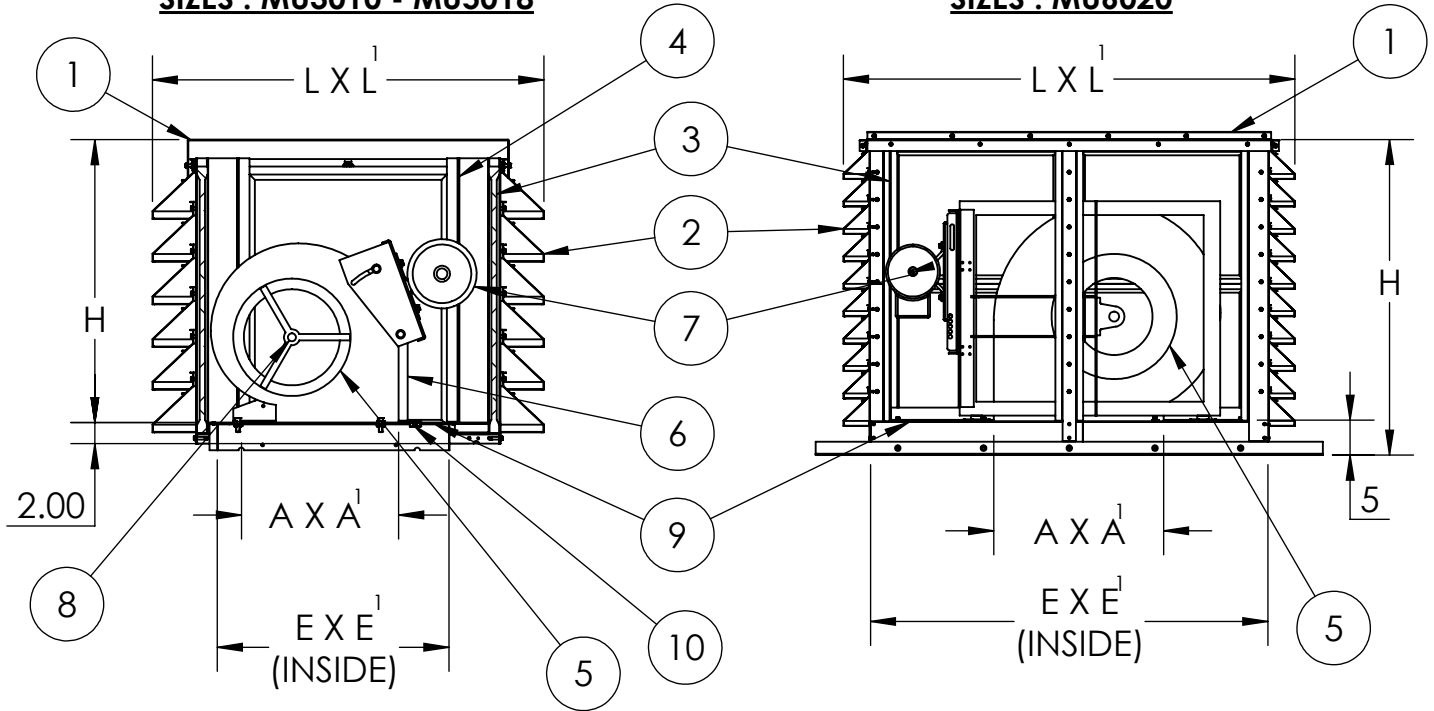


**MUFFAN - BELT DRIVE  
 WITH LOUVER HOOD ACCESSORY**

**SIZES : MU3010 - MU5018**

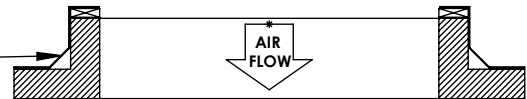
**SIZES : MU6020**



**LEGEND**

1. Removable Roof Cap
2. Louvered Panel Sides(Aluminum Material)
3. Removable Washable Aluminum Filters(1" thick) 2" Thick on Model 6020
4. Filter Tracks and Angle Supports
5. Blower Housing(s)
6. Blower Housing Mounting Plates or Frame
7. Motor
8. Centrifugal Blower Wheels
9. Integral Mounting Base
10. Conduite hole

Curb & Flashing  
(by others)



Ro X Ro'  
Roof Opening

**DIMENSIONAL DATA**

SIZES	L X L'	H	E X E'	A X A'	Ro X Ro'	FILTERS			LESS MOTOR/DRIVE WEIGHT (lbs)
						QTY	SIZE OF FILTERS	THICKNESS	
MU3010	30 3/32 X 30 3/32	26 1/2	22 1/2 X 22 1/2	11 7/8 X 13 1/8	18 X 18	4	20 X 25	1"	260
MU4012	38 1/8 X 38 1/8	28 3/4	27 1/2 X 27 1/2	13 7/16 X 15 5/8	23 X 23	4	20 X 25	1"	306
MU4015	38 1/8 X 38 1/8	28 3/4	27 1/2 X 27 1/2	15 7/8 X 18 5/8	23 X 23	4	20 X 25	1"	318
MU5018	46 3/4 X 46 3/4	27 7/8	31 5/16 X 31 5/16	19 1/8 X 22 1/8	26 1/2 X 26 1/2	8	20 X 25	1"	715
MU6020	59 1/2 X 59 1/2	46	58 X 58	24 3/4 X 24 3/4	53 1/2 X 53 1/2	16	20 X 25	2"	1145

Note : Outside Dimension of curb should be 1 1/2" less than E dimension.

ALL DIMENSIONS ARE IN INCHES

REVISION:

FORM:

REPLACES: