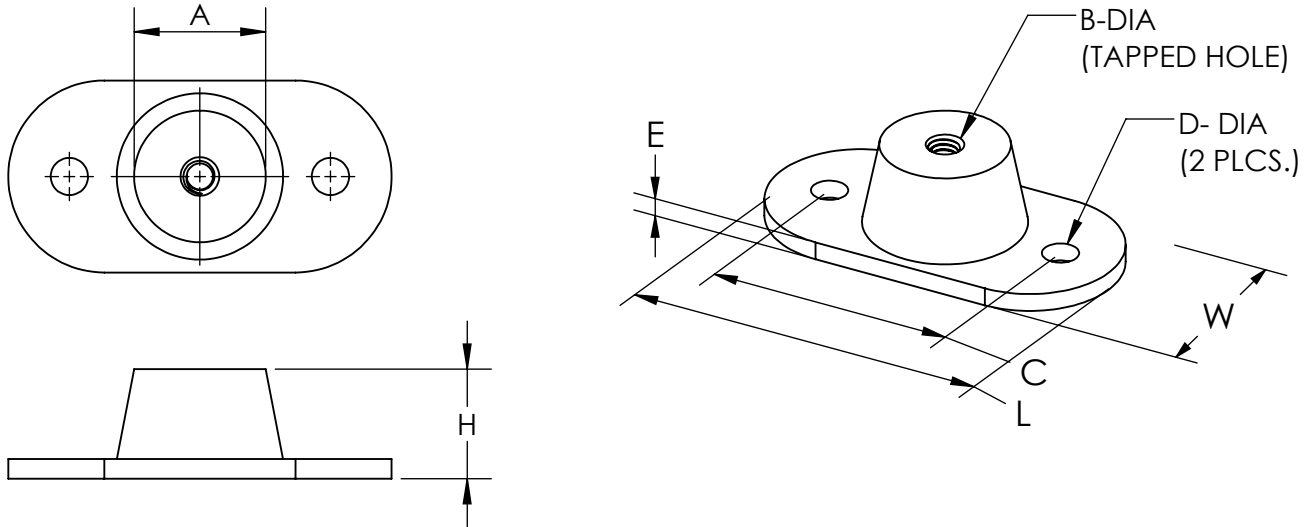


ISOLATOR SUBMITTAL
 RUBBER IN SHEAR (RIS)



DIMENSIONAL DATA

TYPE	L	W	A	B	C	D	E	H
RDA	3.19	1.81	1.25	0.31	2.38	0.34	0.19	1.50
RDB	3.88	2.38	1.75	0.38	3.00	0.34	0.25	1.75
RDC	5.50	3.25	2.50	0.50	4.13	0.56	0.25	2.50
RDD	6.25	4.63	3.75	0.50	5.00	0.56	0.38	2.75

STANDARD RATINGS					
TYPE	SIZE	DURO	COLOR	RATED	
				LOADS (LBS)	DEFL.
RDA	55	50	Yellow	55	0.40
RDA	125	70	Blue	125	0.40
RDB	120	45	Orange	120	0.50
RDB	220	55	Green	220	0.50
RDB	375	65	Blue	375	0.50
RDC	250	55	Yellow	250	0.50
RDC	600	60	Blue	600	0.50
RDC	1100	70	White	100	0.50
RDD	2250	50	Red	2250	0.50
RDD	3000	60	Green	3000	0.50
RDD	4000	70	Gray	4000	0.50

NOTES:

- VIBRATION ISOLATORS ARE NEOPRENE, MOLDED FROM OIL-RESISTANT COMPOUNDS
- CAST-IN-TOP STEEL LOAD TRANSFER PLATE FOR BOLTING TO SUPPORTED EQUIPMENT
- BOLT-DOWN PLATE WITH HOLES PROVIDED FOR ANCHORING TO SUPPORTING STRUCTURE.
- BOTTOM SURFACES SHALL HAVE NON-SKID RIBS

ALL DIMENSIONS ARE IN INCHES

REVISION:

FORM:

REPLACES: