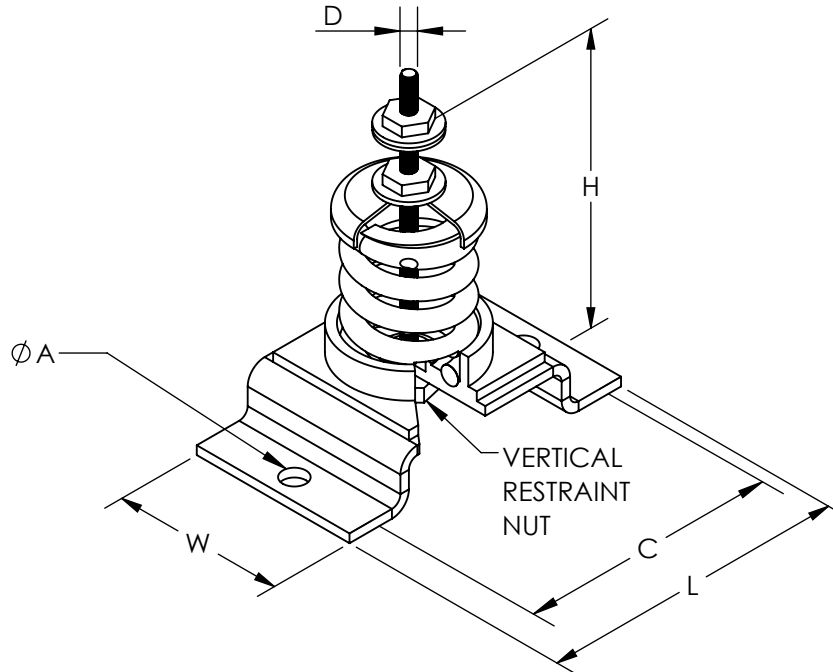


ISOLATOR SUBMITTAL  
 RESTRAINED SPRING, 1" DEFLECTION - FRS



**DIMENSIONAL DATA**

SIZE	L	W	C	A	H	D
1-35/805	4.75	3.00	3.75	0.44	6.00	0.50

MODEL		SPRING COIL					
		COLOR		FREE HT.	O.D.	RATED (LBS)	
TYPE	SIZE	OUTER	INNER			LOAD	DEFL.
FRS	1-35	BLUE		3.19	1.75	35	1.52
FRS	1-70	GREEN		3.19	1.75	70	1.36
FRS	1-120	GRAY		3.19	1.75	120	1.18
FRS	1-220	BROWN		3.19	1.75	220	1.07
FRS	1-370	ORANGE		3.19	1.75	370	0.96
FRS	1-500	BEIGE		3.19	1.75	500	1.00
FRS	1-600	CHROME		3.19	1.75	600	1.00
FRS	1-700	BEIGE	WHITE	3.19	1.75	700	1.00
FRS	1-805	CHROME	WHITE	3.19	1.75	805	1.01

**NOTES:**

1. VERTICALLY AND Laterally RESTRAINED SPRING ISOLATOR.
2. REPLACEABLE NEOPRENE SNUBBER
3. MINIMUM OVERLOAD OF 50%
4. POWDER COATED SPRING ELEMENT, BRACKET IS HOT DIPPED GALVANIZED.
5. FOR ADEQUATE ANCHOR SIZING, TORQUE, AND BASEPLATE REQUIREMENTS, VISIT <https://kineticsnoise.com/frs/restrained-spring-isolator>

ALL DIMENSIONS ARE IN INCHES