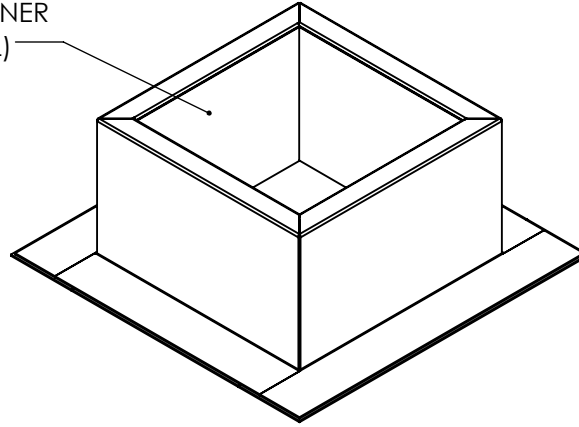
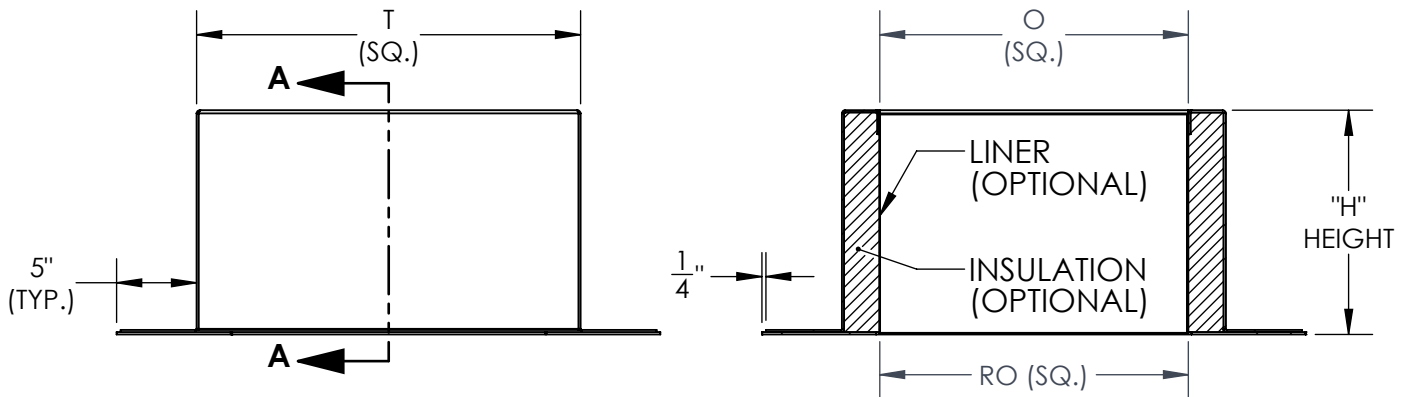


AXIAL WAREHOUSE EXHAUST FAN  
 ROOF CURBS

BOLT ON LINER  
 (OPTIONAL)



**GALVANIZED OR ALUMINUM ROOF CURB**



**SECTION A-A**

**STANDARD CONSTRUCTION:**

1. Self flashing curbs.
2. Galvanized steel (14GA) standard and aluminum available.

**ACCESSORIES:**

1. Gaskets
2. Insulation
3. Liners

**DIMENSIONAL DATA:**

SIZE	T	O	RO	H
<b>AWX-1600</b>	71 1/2	68 1/2	66 1/2	12,14,16,18 OR 24

ALL DIMENSIONS ARE IN INCHES.