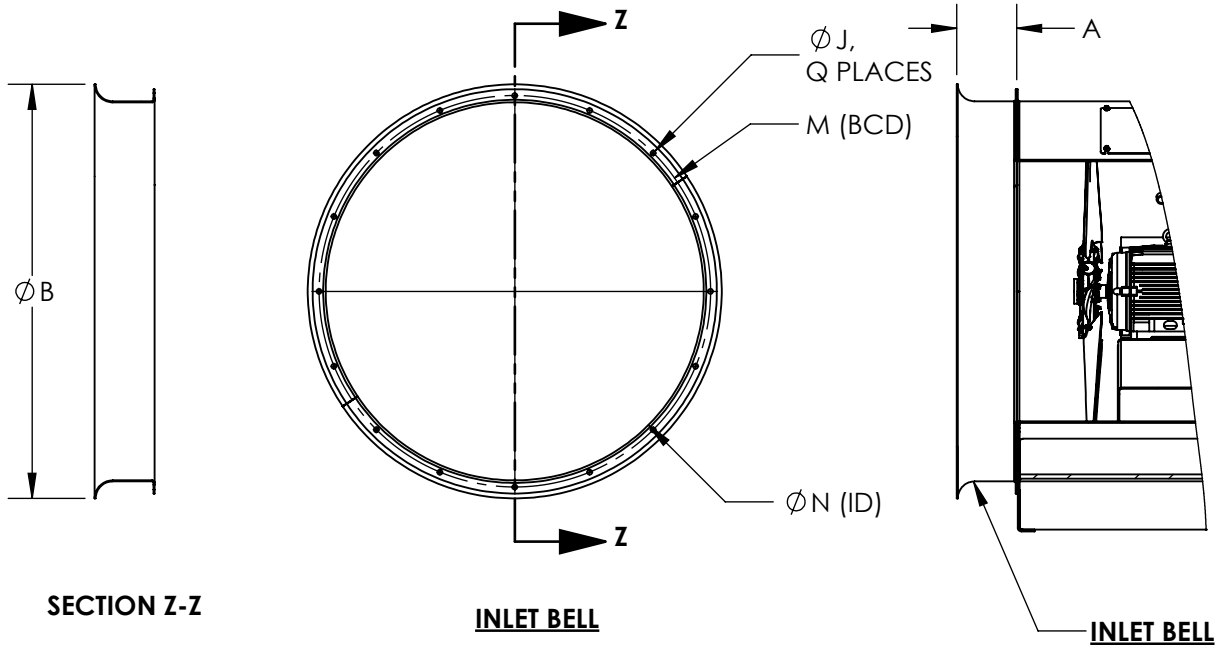


AXIAL WAREHOUSE EXHAUST FAN
 ACCESSORY-INLET BELL

FEATURES

1. Inlet bells minimize entry losses into the fan caused by non-ducted inlet conditions to ensure the fan's rated performance is achieved.
2. Inlet bells should be paired with an inlet guard for safety to prevent accidental contact with the impeller.



DIMENSIONAL DATA:

SIZE	A	B	J	M	N	Q
AWX-1600	10	69	13/16	65 1/4	63	16

ALL DIMENSIONS ARE IN INCHES.