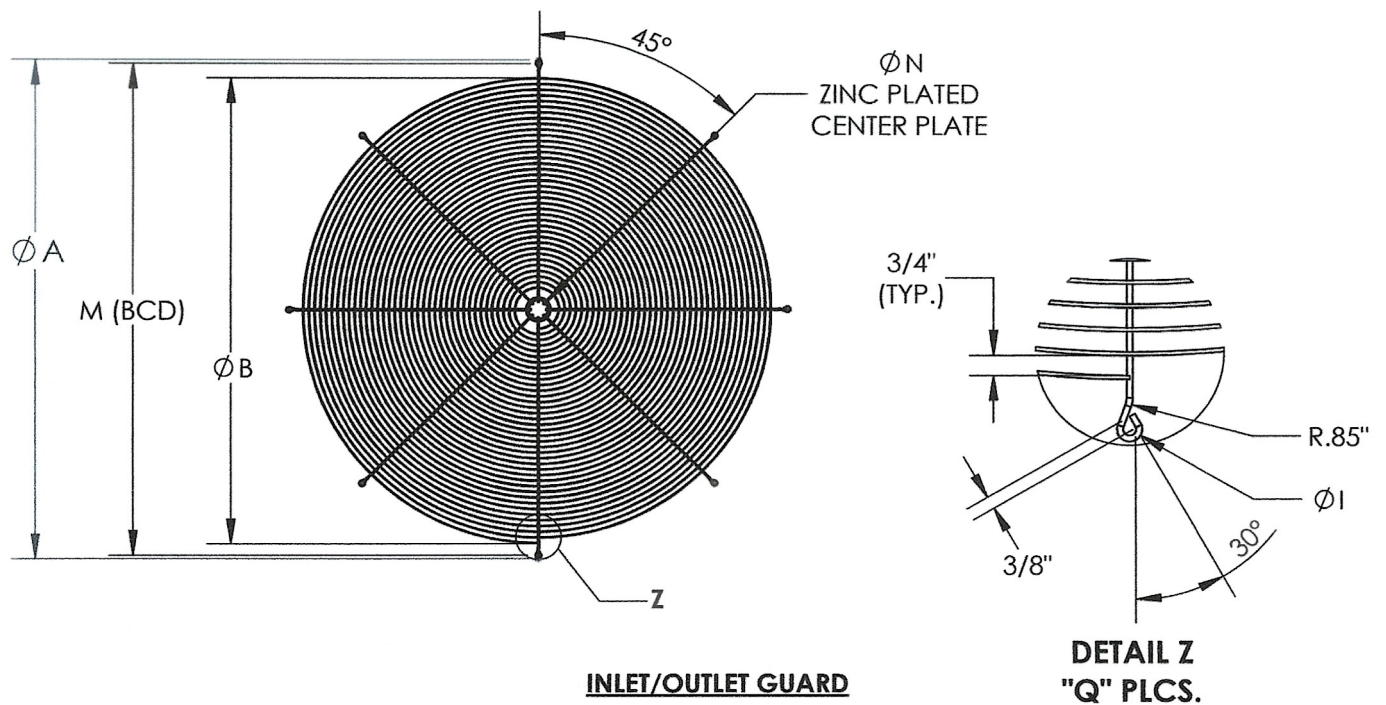


AXIAL WAREHOUSE EXHAUST FAN
 ACCESSORY-INLET/OUTLET GUARD

FEATURES

1. Guards are recommended whenever there is an unducted inlet or outlet.
2. Protection for personnel from injury and guard against foreign objects entering the fan.
3. Inlet guards are heavy gauge zinc plated steel wire.
4. Outlet guards are heavy gauge wire.



DIMENSIONAL DATA:

SIZE	A	B	J	M	N	Q
AWX-1600	66 1/8	61 3/4	13/16	65 1/4	3 1/4	8

ALL DIMENSIONS ARE IN INCHES.