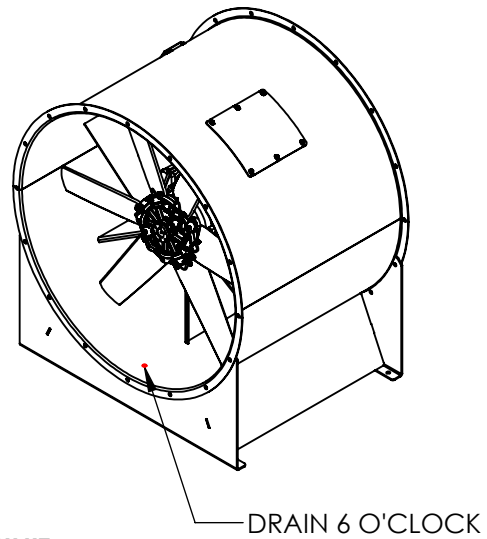
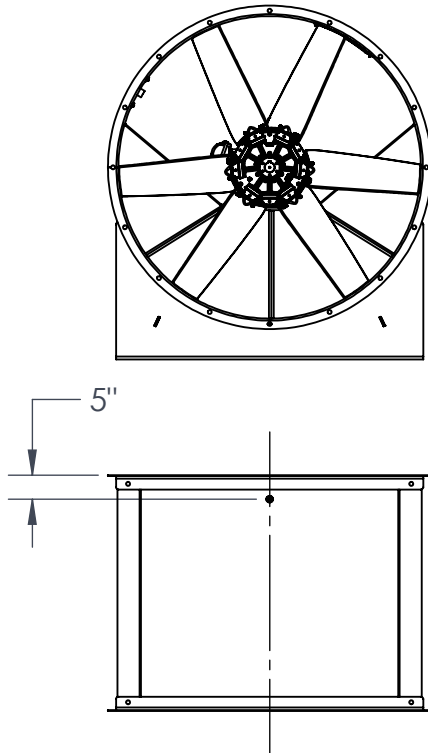


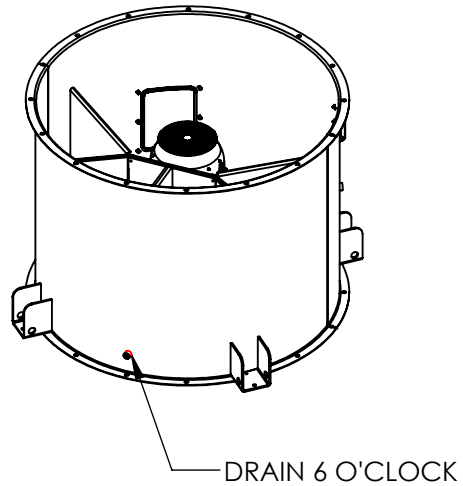
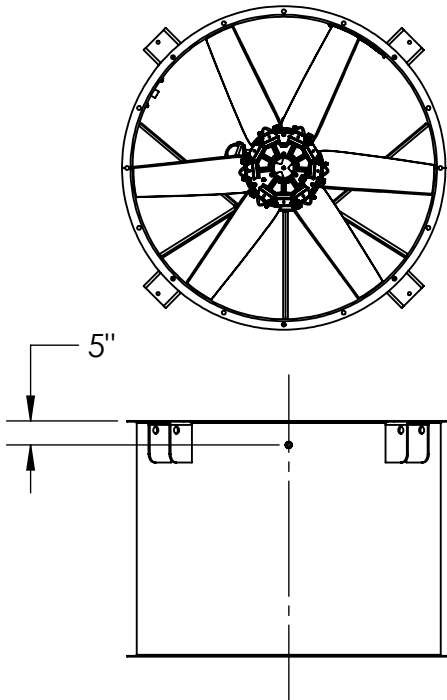
**AXIAL WAREHOUSE EXHAUST FAN
 ACCESSORY-DRAIN**

FEATURES

1. Drains are available on horizontal and vertical fans.
2. Drains are located at the lowest point of the housing.
3. Standard type is 3/4" NPT internal threads.
4. All drains come standard with plugs.



HORIZONTAL UNIT



VERTICAL UNIT