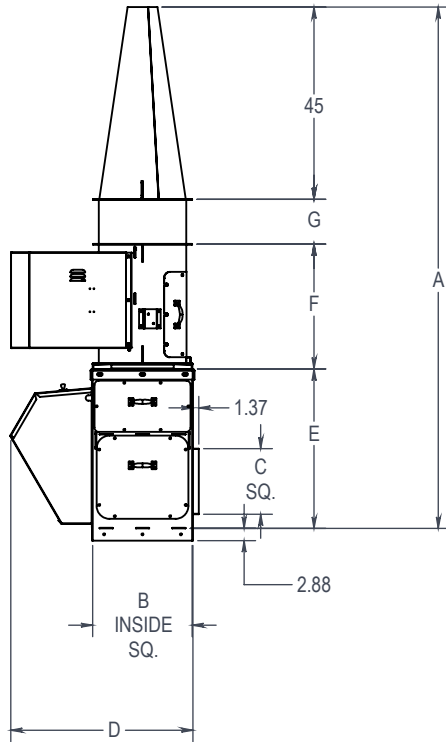




DATE: TAG:
 JOB:
 PROJECT:
 COMPANY:
 SALES PERSON:

**VPLUME SIDE INLET
 FINAL ASSEMBLY WITH PLENUM**



All dimensions are in inches.
 A = Overall system height (without curb)
 B = Width of Curb
 C = Inlet Square
 D = Overall width of the system
 E = Height of plenum
 F = Height of fan
 G = Height of stack extension

DIMENSIONAL DATA

MODEL	A	B	C	D	E	F	G
90	122	21 1/2	13 1/2	41	34 1/4	27 1/4	15 1/2
105	122	21 1/2	13 1/2	41	34 1/4	27 1/4	15 1/2
122	122	21 1/2	13 1/2	41	34 1/4	27 1/4	15 1/2
135	122	23 1/2	15 3/8	43	37 1/4	29 1/4	10 1/2
150	122	25 1/2	17 3/8	45	38 1/4	31 1/4	7 1/2
165	122	27 1/2	19 3/8	47	39	31 1/2	6 1/2
182	122	33 1/2	21 1/8	53	37	33 1/2	6 1/2
200	125	35 1/2	26 1/8	59	43 1/2	36 1/2	
222	129	39 1/2	26 1/8	62 1/4	43 1/2	40 1/2	
245	141	45 1/2	33 3/8	71	51	45	
270	146	49 1/2	33 5/8	75	51 1/2	49 1/2	
300	153	58 1/4	34 1/8	85 3/4	53	55	
330	166	60	39 3/8	89 1/2	59 1/2	61 1/2	
365	172	63	39 1/8	92 1/2	59	68	
402	183	70	43 3/8	99 1/2	63 1/2	75	

STANDARD CONSTRUCTION FEATURES

Stainless Steel Shaft	Stainless Steel Hardware	Nylon Lube Line
Bolted Access Door	Ceramic Shaft Seal	UL/cUL 705 Certified
Weather Cover	Aluminum Non-Overloading Wheel	AMCA Certified for Air & Sound
Air Dry Phenolic Coat w/ UV (Grey)	AMCA B	High Velocity Discharge Nozzle
Fan Drain	L10/100K Concentric Bearings	Designed to Withstand 125 mph Wind

ACCESSORIES

Plemun Air Bypass w/ Motorized Control Damper	Isolation Damper	Piezo Ring	
NEMA 3R Disconnect Switch	VFD (Shipped Loose)	Gravity	With Transducer
2.0 Service Factor Drives	Roof Curb	Motorized	Without Transducer

REVISION:

FORM: PB-VP-01

REPLACES: