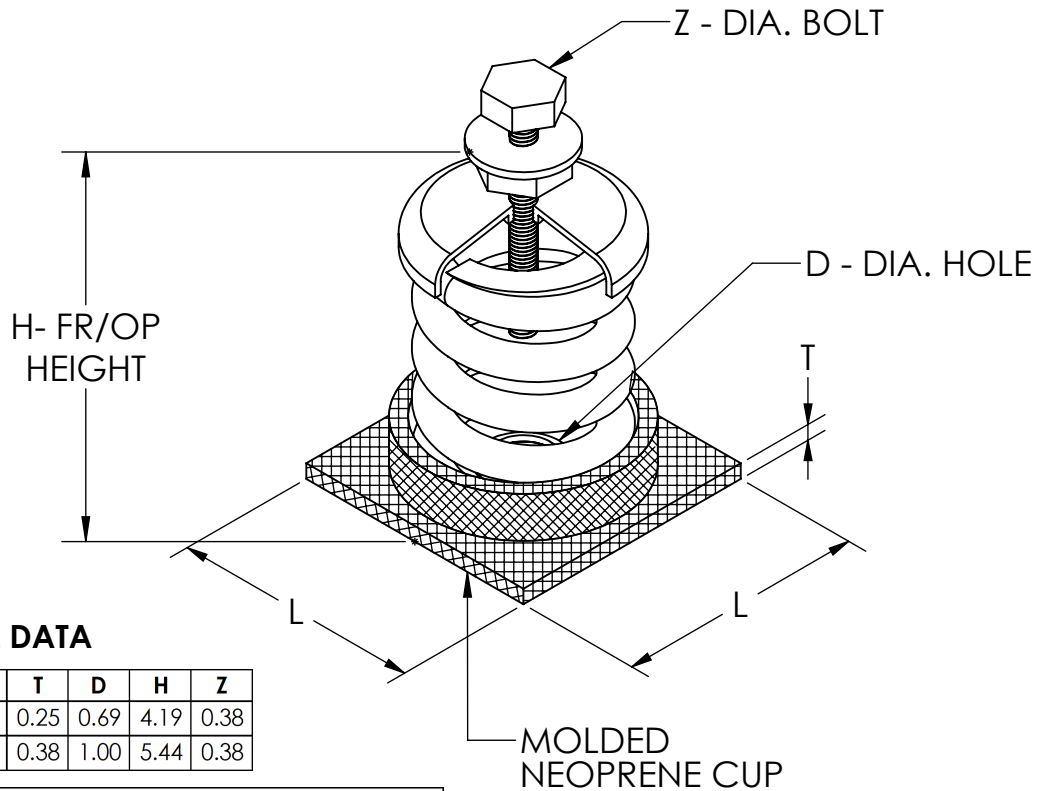


ISOLATOR SUBMITTAL  
 UNHOUSED SPRING, 1" DEFLECTION



**DIMENSIONAL DATA**

MODEL	L	T	D	H	Z
FDS 1-35/805	2.63	0.25	0.69	4.19	0.38
FDS 1-50/3500	3.88	0.38	1.00	5.44	0.38

MODEL		SPRING COIL					
		COLOR		FREE HT.	O.D.	RATED (LBS)	
TYPE	SIZE	OUTER	INNER			LOAD	DEFL.
FDS	1-35	BLUE		3.19	1.75	35	1.52
FDS	1-70	GREEN		3.19	1.75	70	1.36
FDS	1-120	GRAY		3.19	1.75	120	1.18
FDS	1-220	BROWN		3.19	1.75	220	1.07
FDS	1-370	ORANGE		3.19	1.75	370	0.96
FDS	1-500	BEIGE		3.19	1.75	500	1.00
FDS	1-600	CHROME		3.19	1.75	600	1.00
FDS	1-700	BEIGE	WHITE	3.19	1.75	700	1.00
FDS	1-805	CHROME	WHITE	3.19	1.75	805	1.01
FDS	1-50	BEIGE		4.20	3.00	50	1.00
FDS	1-100	CHROME		4.20	3.00	100	1.00
FDS	1-250	BLUE		4.20	3.00	120	1.79
FDS	1-450	GREEN		4.20	3.00	450	1.54
FDS	1-625	BLACK		4.20	3.00	625	1.44
FDS	1-800	GRAY		4.20	3.00	800	1.31
FDS	1-1000	RED		4.20	3.00	1000	1.15
FDS	1-1250	BROWN		4.20	3.00	1250	1.09
FDS	1-1700	ORANGE		4.20	3.00	1700	0.95
FDS	1-2200	ORANGE	GRAY	4.20	3.00	2200	1.00
FDS	1-2465	BLUE		4.20	3.00	1465	1.00
FDS	1-2865	BLUE	GRAY	4.20	3.00	2865	1.00
FDS	1-3500	BLUE	BROWN	4.20	3.00	3500	1.00

MOLDED NEOPRENE CUP

NOTES:

- FREE STANDING COIL SPRING ISOLATOR
- POWERDER COATED SPRING ELEMENT, ALL OTHER METALLIC COMPONENTS ARE BRIGHT ZINC PLATED
- 50% MINIMUM OVERLOAD

ALL DIMENSIONS ARE IN INCHES

REVISION:

FORM:

REPLACES: