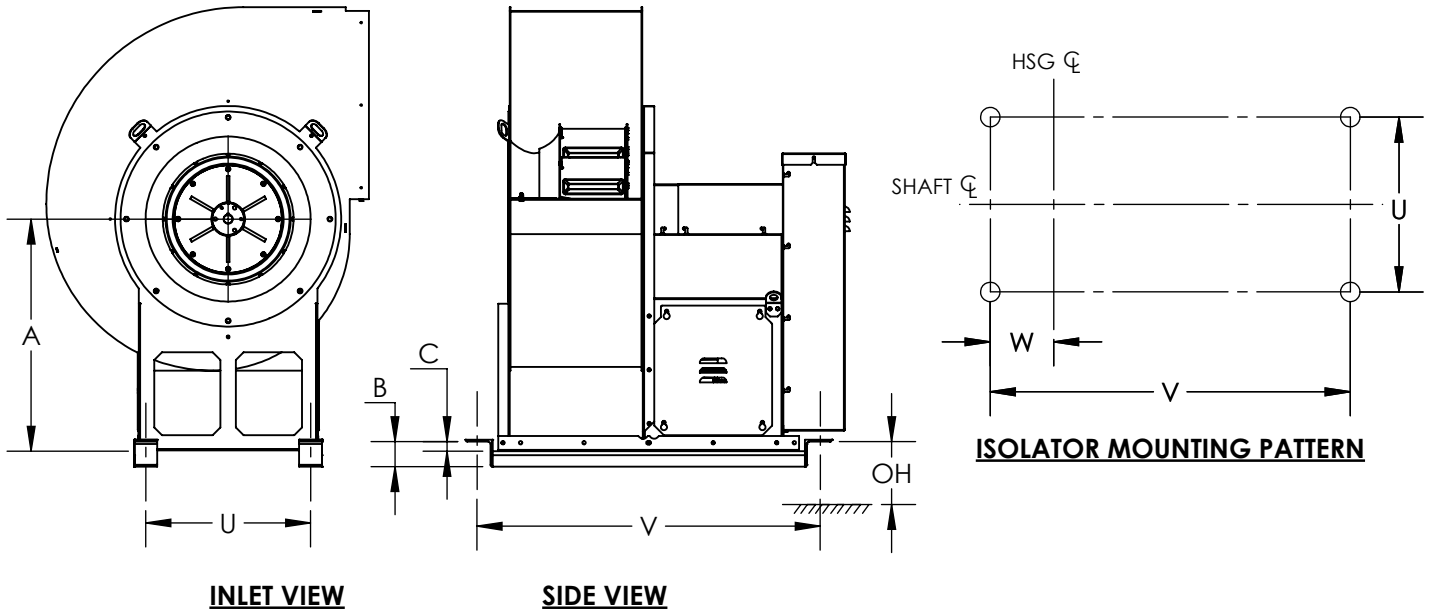




DATE: TAG:
 JOB:
 PROJECT:
 COMPANY:
 SALES PERSON:

UVS CLASS 0 - HEIGHT SAVING ISOLATION RAIL
 FOR 1" DEFLECTION SPRING ISOLATORS



NOTES:

1. RAILS DESIGNED FOR 1" ISOLATORS SELECTED BY PENNBARRY.
2. RAILS TO BE SHIPPED MOUNTED.
3. HORIZONTAL MOUNT ONLY.
4. FOR "OH" (OPERATING HEIGHT) OF ISOLATOR SEE FINAL ISOLATOR SELECTION.
5. VIEWS ABOVE ARE FOR REFERENCE ONLY.

DIMENSIONAL DATA

ARR-10						
Size	A	B	C	U	V	W
60	18 1/8	2 13/16	1 5/16	13 11/16	29 1/4	8 5/8
70	18 1/8	2 13/16	1 5/16	13 11/16	29 1/4	8 5/8
80	18 1/8	2 13/16	1 5/16	13 11/16	29 1/4	8 5/8
100	18 1/8	2 13/16	1 5/16	13 11/16	29 1/4	8 5/8
122	18 1/8	2 13/16	1 5/16	15 11/16	30 13/16	10 3/16
135	18 1/8	2 13/16	1 5/16	17 3/16	31 11/16	11 1/16
150	19 3/4	2 13/16	1 5/16	17 3/16	34 3/4	12 1/8
165	21 3/8	2 13/16	1 5/16	17 3/16	35 13/16	13 3/16
182	23 1/4	2 3/4	1 1/4	17 3/16	37 1/16	14 7/16
200	25 1/4	2 3/4	1 1/4	18 7/16	38 5/16	15 13/16
222	27 3/4	3 1/4	1 1/4	20 11/16	43 1/8	17 1/4
245	30 1/4	3 1/4	1 1/4	21 7/16	44 11/16	18 13/16
270	33	3 3/16	1 3/16	22 15/16	49 1/2	20 5/8
300	36 7/8	3 3/16	1 3/16	24 11/16	53 7/8	23 1/2
330	40 1/8	3 1/8	1 1/8	27 11/16	58 5/16	25 9/16
365	44	3 5/8	1 1/8	29 11/16	60 13/16	28 1/16
402	48 1/8	3 5/8	1 1/8	33 11/16	63 7/16	30 11/16
445	52 3/4	3 5/8	1 1/8	42 1/2	66 3/4	33 3/4
490	57 3/4	3 5/8	1 1/8	46 1/2	69 15/16	36 15/16
542	63 3/4	3 5/8	1 1/8	51 1/2	73 11/16	40 11/16

ARR-4						
Size	A	B	C	U	V	W
60	18 1/8	2 13/16	1 5/16	13 11/16	28	8 5/8
70	18 1/8	2 13/16	1 5/16	13 11/16	28	8 5/8
80	18 1/8	2 13/16	1 5/16	13 11/16	28	8 5/8
100	18 1/8	2 13/16	1 5/16	13 11/16	28	8 5/8
122	18 1/8	2 13/16	1 5/16	15 11/16	29 9/16	10 3/16
135	18 1/8	2 13/16	1 5/16	17 3/16	31 3/16	11 1/16
150	19 3/4	2 13/16	1 5/16	17 3/16	32 1/4	12 1/8
165	21 3/8	2 13/16	1 5/16	17 3/16	33 5/16	13 3/16
182	23 1/4	2 3/4	1 1/4	17 3/16	34 9/16	14 7/16
200	25 1/4	2 3/4	1 1/4	18 7/16	35 13/16	15 11/16
222	27 3/4	3 1/4	1 1/4	20 11/16	39 1/8	17 1/4
245	30 1/4	3 1/4	1 1/4	21 7/16	40 11/16	18 13/16
270	33	3 3/16	1 3/16	22 15/16	42 1/2	20 5/8

ALL DIMENSIONS ARE IN INCHES

REVISION:	FORM:	REPLACES:
-----------	-------	-----------