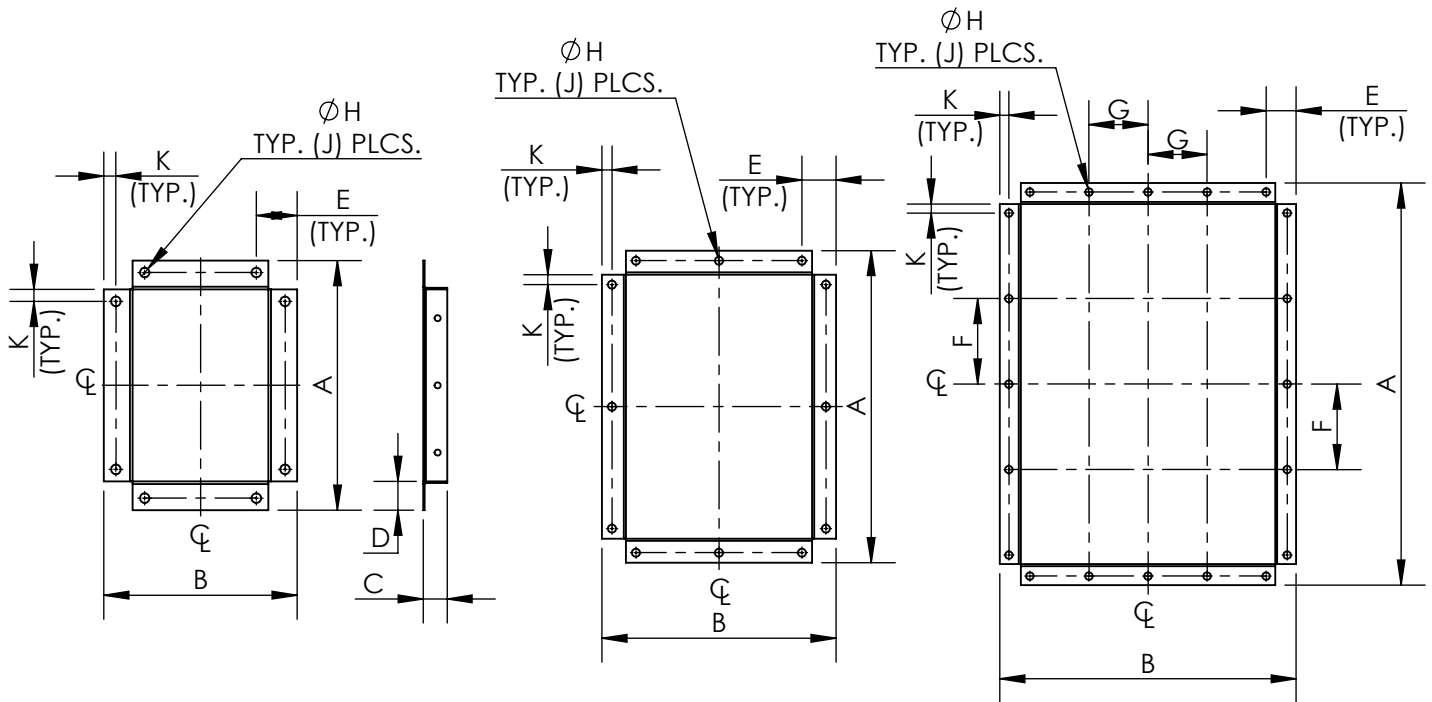


UTILITY VENT SET FAN  
 OUTLET FLANGE PUNCHING DETAILS



**SIZE: 60-150**

**SIZE: 165-270**

**SIZE: 300-542**

**DIMENSIONAL DATA**

SIZE	A	B	C	D	E	F	G	H	J	K
60	13	10 1/16	1 1/4	1 1/2	2 1/8	-	-	1/2	8	5/8
70	13	10 1/16	1 1/4	1 1/2	2 1/8	-	-	1/2	8	5/8
80	13	10 1/16	1 1/4	1 1/2	2 1/8	-	-	1/2	8	5/8
100	13	10 1/16	1 1/4	1 1/2	2 1/8	-	-	1/2	8	5/8
122	15 1/4	11 5/8	1 1/2	1 1/2	2 1/8	-	-	1/2	8	5/8
135	16 1/2	12 1/2	1 1/2	1 1/2	2 1/8	-	-	1/2	8	5/8
150	18	13 9/16	1 1/2	1 1/2	2 1/8	-	-	1/2	8	5/8
165	19 1/2	14 5/8	1 1/2	1 1/2	2 1/8	-	-	1/2	12	5/8
182	21 1/4	15 7/8	1 1/2	1 1/2	2 1/8	-	-	1/2	12	5/8
200	23 1/2	17 5/8	1 3/4	1 3/4	2 1/2	-	-	5/8	12	3/4
222	25 3/4	19 3/16	1 3/4	1 3/4	2 1/2	-	-	5/8	12	3/4
245	28	20 3/4	1 3/4	1 3/4	2 1/2	-	-	5/8	12	3/4
270	30 1/2	22 9/16	1 3/4	1 3/4	2 1/2	-	-	5/8	12	3/4
300	33 1/2	24 11/16	1 3/4	1 3/4	2 1/2	7 1/8	4 15/16	5/8	20	3/4
330	36 1/2	26 3/4	1 3/4	1 3/4	2 1/2	7 7/8	5 7/16	5/8	20	3/4
365	40	29 1/4	1 3/4	1 3/4	2 1/2	8 3/4	6 1/16	5/8	20	3/4
402	44 1/4	32 3/8	2	2	2 7/8	9 5/8	6 11/16	3/4	20	7/8
445	48 1/2	35 3/8	2	2	2 7/8	10 11/16	7 7/16	3/4	20	7/8
490	53	38 1/2	2	2	2 7/8	11 13/16	8 3/16	3/4	20	7/8
542	58 1/4	42 1/4	2	2	2 7/8	13 1/8	9 1/8	3/4	20	7/8

ALL DIMENSIONS ARE IN INCHES

REVISION:

FORM:

REPLACES: