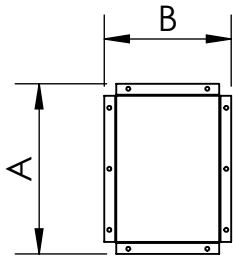


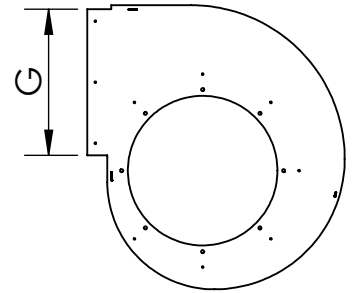
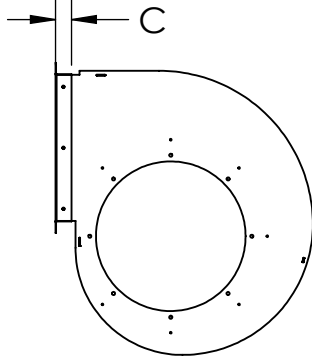


DATE: TAG:
 JOB:
 PROJECT:
 COMPANY:
 SALES PERSON:

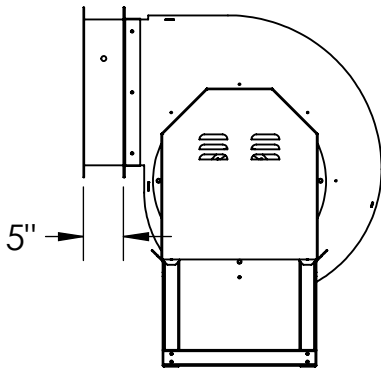
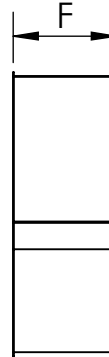
UTILITY VENT SET FAN
 OUTLET ACCESSORIES



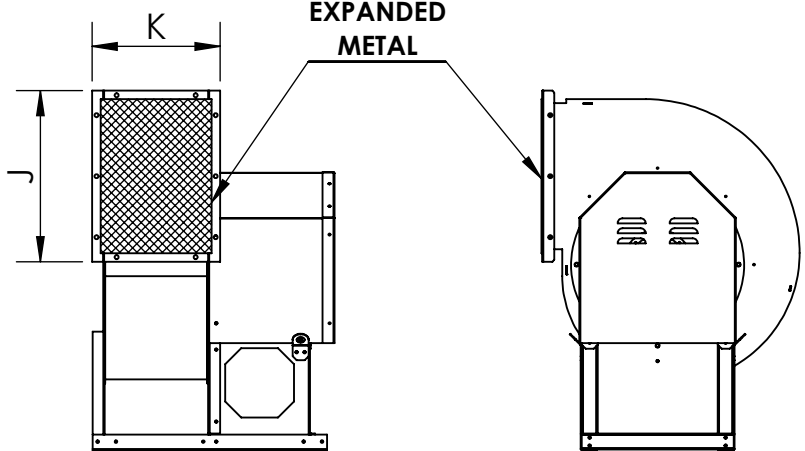
FLANGED OUTLET



SLIP OUTLET



BOLT-ON DAMPER



OUTLET SCREEN

DIMENSIONAL DATA

SIZE	A	B	C	F	G	J	K
60	13	10 1/16	1 1/4	7 1/16	10	13 1/8	10 3/16
70	13	10 1/16	1 1/4	7 1/16	10	13 1/8	10 3/16
80	13	10 1/16	1 1/4	7 1/16	10	13 1/8	10 3/16
100	13	10 1/16	1 1/4	7 1/16	10	13 1/8	10 3/16
122	15 1/4	11 9/16	1 1/2	8 5/8	12 1/4	15 3/8	11 11/16
135	16 1/2	12 7/16	1 1/2	9 1/2	13 1/2	16 5/8	12 9/16
150	18	13 1/2	1 1/2	10 9/16	15	18 1/8	13 5/8
165	19 1/2	14 9/16	1 1/2	11 5/8	16 1/2	19 5/8	14 11/16
182	21 1/4	15 13/16	2	12 7/8	18 1/4	21 3/8	15 15/16
200	23	17 1/8	3	14 1/8	20	23 1/8	17 1/4
222	25 1/4	18 11/16	3	15 11/16	22 1/4	25 3/8	18 13/16
245	27 1/2	20 1/4	3	17 1/4	24 1/2	27 5/8	20 3/8
270	30	22 1/16	3	19 1/16	27	30 1/8	22 3/16
300	33	24 3/16	3	21 3/16	30	33 1/8	24 5/16
330	36	26 1/4	3	23 1/4	33	36 1/8	26 3/8
365	39 1/2	28 3/4	3	25 3/4	36 1/2	39 5/8	28 7/8
402	43 1/4	31 3/8	3	28 3/8	40 1/4	43 3/8	31 1/2
445	47 1/2	34 3/8	3	31 3/8	44 1/2	47 5/8	34 1/2
490	52	37 1/2	3	34 1/2	49	52 1/8	37 5/8
542	57 1/4	41 1/4	3	38 1/4	54 1/4	57 3/8	41 3/8

ALL DIMENSIONS ARE IN INCHES

NOTES :

1. SLIP OUTLET IS STANDARD.
2. OUTLET SCREEN INCLUDES EXPANDED METAL WELDED TO BOLT-ON FLANGE.
3. BOLT-ON DAMPER OPTIONS:
 A. BACKDRAFT
 B. MOTORIZED CONTROLLED
4. BOLT-ON DAMPER REQUIRES OUTLET FLANGE.

REVISION:

FORM:

REPLACES: