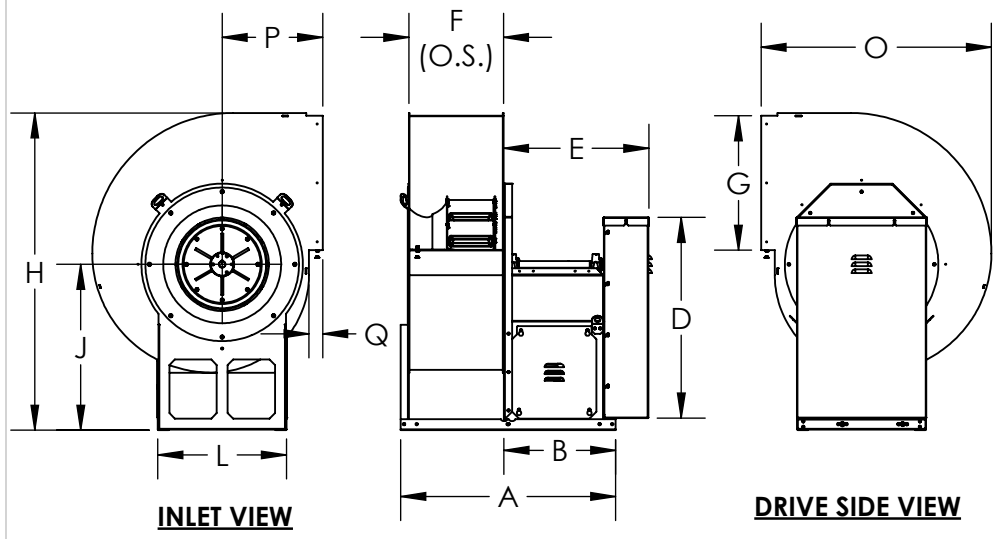




DATE: TAG:
 JOB:
 PROJECT:
 COMPANY:
 SALES PERSON:

UVS-ARRANGEMENT- 10
 UTILITY VENT SET

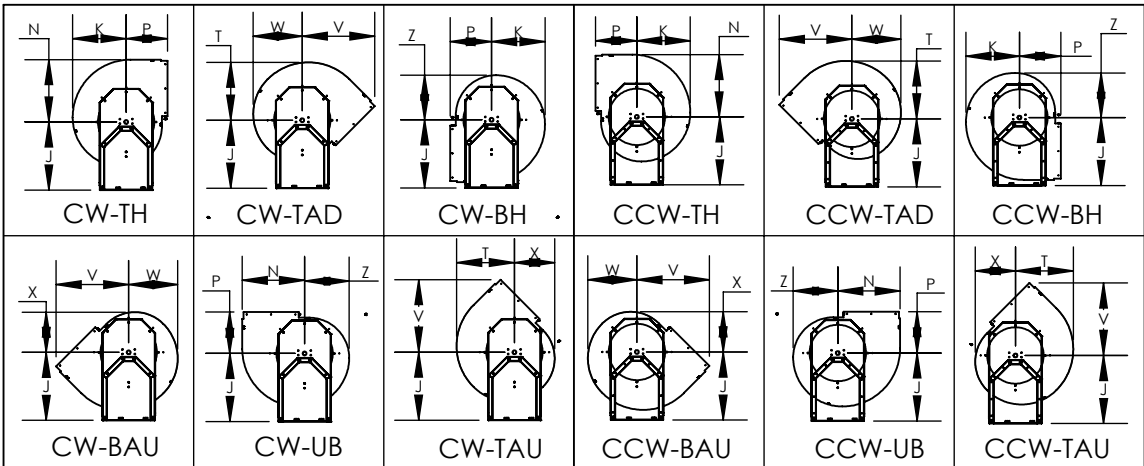


STANDARD CONSTRUCTION:

1. Welded Housing
2. Aluminum Wheel
3. Galvanized and Bolted Pedestal
4. Adjustable Motor Base Assembly
5. 100K L10 Life Bearings
6. 1045 TG&P Shaft
7. Slip Outlet
8. Open Inlet
9. Motors: Premium Efficient & GPlus

OPTIONAL ACCESSORIES :

1. 200K L10 Life Bearings
2. Weather Cover (shown in illustration)
3. Slip and Flanged Inlet
4. Inlet/Outlet Companion Flange
5. Flanged Outlet
6. Vibration Isolators & Rails
7. Shaft Seal
8. Inlet Wire Guard & Outlet screen
9. Piezo Ring & Pressure Transducer
10. Disconnect Switch



DISCHARGE POSITIONS

DIMENSIONAL DATA

Size	A	B	D	E	F	G	H	J	L	Q	O	P	K	N	V	W	T	X	Z
60	24	15 3/8	22 15/16	19 1/4	7 1/16	10	29 11/16	18 1/8	15 11/16	5	21 11/16	11 3/4	9 15/16	11 9/16	16 1/8	9 3/16	10 3/4	7 3/4	8 3/8
70	24	15 3/8	22 15/16	19 1/4	7 1/16	10	29 11/16	18 1/8	15 11/16	5	21 11/16	11 3/4	9 15/16	11 9/16	16 1/8	9 3/16	10 3/4	7 3/4	8 3/8
80	24	15 3/8	22 15/16	19 1/4	7 1/16	10	29 11/16	18 1/8	15 11/16	5	21 11/16	11 3/4	9 15/16	11 9/16	16 1/8	9 3/16	10 3/4	7 3/4	8 3/8
100	24	15 3/8	22 15/16	19 1/4	7 1/16	10	29 11/16	18 1/8	15 11/16	5	21 11/16	11 3/4	9 15/16	11 9/16	16 1/8	9 3/16	10 3/4	7 3/4	8 3/8
122	25 9/16	15 3/8	22 15/16	19 3/16	8 5/8	12 1/4	32 3/16	18 1/8	17 11/16	5	25 1/4	13 3/16	12 1/16	14 1/16	18 7/8	11 1/8	13 1/16	9 1/8	10 1/8
135	26 7/16	15 3/8	22 15/16	19 1/4	9 1/2	13 1/2	33 9/16	18 1/8	19 3/16	5	27 3/16	13 15/16	13 1/4	15 7/16	20 7/16	12 3/16	14 5/16	10	11 1/8
150	29 1/2	17 3/8	24 9/16	22 1/4	10 9/16	15	36 13/16	19 3/4	19 3/16	4 1/2	29 1/16	14 3/8	14 11/16	17 1/16	21 7/8	13 1/2	15 7/8	11 1/16	12 1/4
165	30 9/16	17 3/8	26 3/16	22 1/4	11 5/8	16 1/2	40 1/8	21 3/8	19 3/16	3 1/2	30 7/16	14 5/16	16 1/8	18 3/4	23	14 3/4	17 7/16	12 1/8	13 7/16
182	31 13/16	17 3/8	28 1/16	22 1/4	12 7/8	18 1/4	43 15/16	23 1/4	19 3/16	2 1/2	32 3/16	14 7/16	17 3/4	20 11/16	24 7/16	16 5/16	19 1/4	13 3/8	14 13/16
200	33 1/16	17 3/8	30	22 1/4	14 1/8	20	47 3/4	25 1/4	20 7/16	2 1/2	34 15/16	15 1/2	19 7/16	22 5/8	26 5/8	17 13/16	21	14 5/8	16 3/16
222	37 5/8	20 3/8	34 1/8	26 1/2	15 11/16	22 1/4	52 3/4	27 3/4	22 11/16	2 1/2	38 7/16	16 15/16	21 9/16	25 1/8	29 3/8	19 3/4	23 5/16	16 3/16	18
245	39 3/16	20 3/8	36 5/8	26 1/2	17 1/4	24 1/2	57 13/16	30 1/4	23 7/16	2 1/2	42	18 5/16	23 11/16	27 9/16	32 1/8	21 11/16	25 5/8	17 13/16	19 3/4
270	44	23 3/8	39 3/8	29 1/2	19 1/16	27	63 3/8	33	24 15/16	2 1/2	45 15/16	19 7/8	26	30 3/8	35 3/16	23 7/8	28 3/16	19 9/16	21 11/16
300	48 3/8	25 1/8	44 1/16	31 1/4	21 3/16	30	70 9/16	36 7/8	27 1/4	2 1/2	50 5/8	21 3/4	28 7/8	33 11/16	38 13/16	26 1/2	31 1/4	21 11/16	24 1/16
330	52 13/16	27 1/2	48 15/16	36 1/8	23 1/4	33	77 1/8	40 1/8	30 1/4	2 1/2	55 3/8	23 5/8	31 11/16	37	42 1/2	29 1/16	34 5/16	23 3/4	26 7/16
365	55 5/16	27 1/2	52 13/16	36 1/8	25 3/4	36 1/2	84 7/8	44	32 1/4	2 1/2	60 7/8	25 13/16	35	40 7/8	46 13/16	32 1/16	37 15/16	26 1/4	29 3/16
402	57 15/16	27 1/2	56 15/16	36 1/8	28 7/16	40 1/4	93 1/8	48 1/8	36 1/4	2 1/2	66 3/4	28 3/16	38 9/16	45	51 3/8	35 5/16	41 3/4	28 7/8	32 1/8

ALL DIMENSIONS ARE IN INCHES

REVISION: _____ FORM: _____ REPLACES: _____