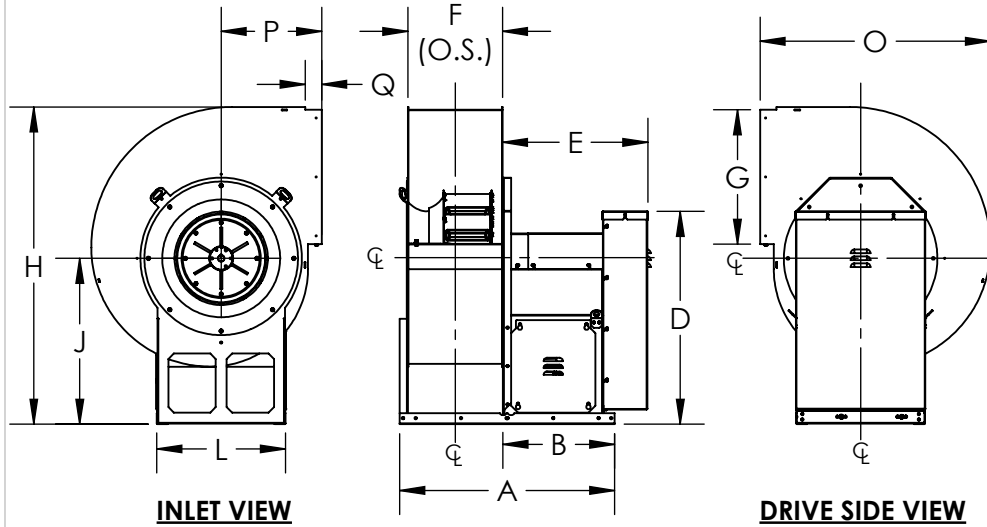




DATE: TAG:  
 JOB:  
 PROJECT:  
 COMPANY:  
 SALES PERSON:

UVS-ARRANGEMENT- 10  
 UTILITY VENT SET

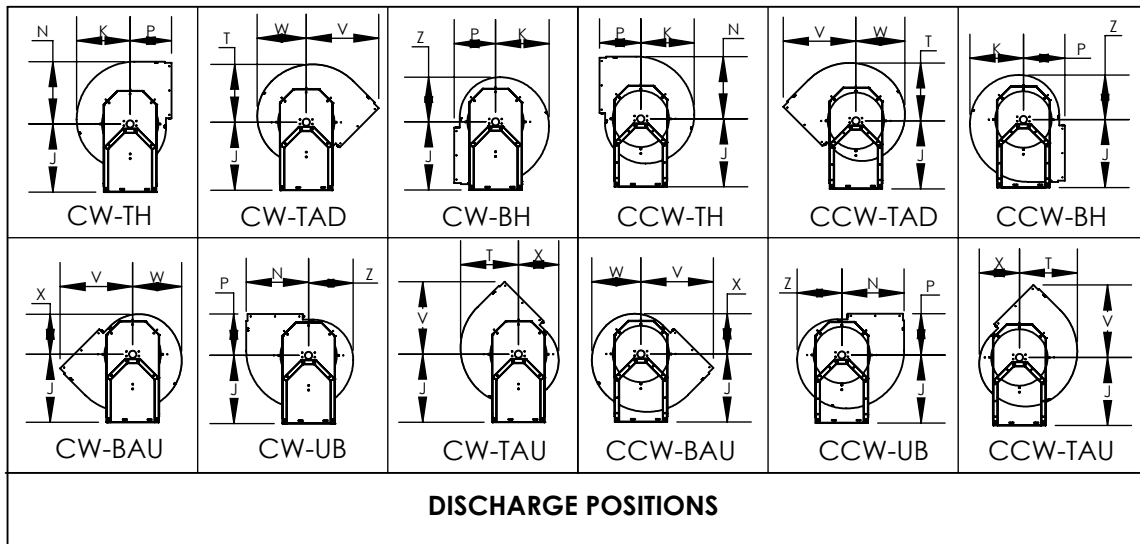


**STANDARD CONSTRUCTION:**

1. Welded Housing
2. Aluminum Wheel
3. Galvanized and Bolted Pedestal
4. Adjustable Motor Base Assembly
5. 100K L10 Life Bearings
6. 1045 TG&P Shaft
7. Slip Outlet
8. Open Inlet
9. Motors: Premium Efficient & GPlus

**OPTIONAL ACCESSORIES :**

1. 200K L10 Life Bearings
2. Weather Cover (shown in illustration)
3. Slip and Flanged Inlet
4. Inlet/Outlet Companion Flange
5. Flanged Outlet
6. Vibration Isolators & Rails
7. Shaft Seal
8. Inlet Wire Guard & Outlet screen
9. Piezo Ring & Pressure Transducer
10. Disconnect Switch



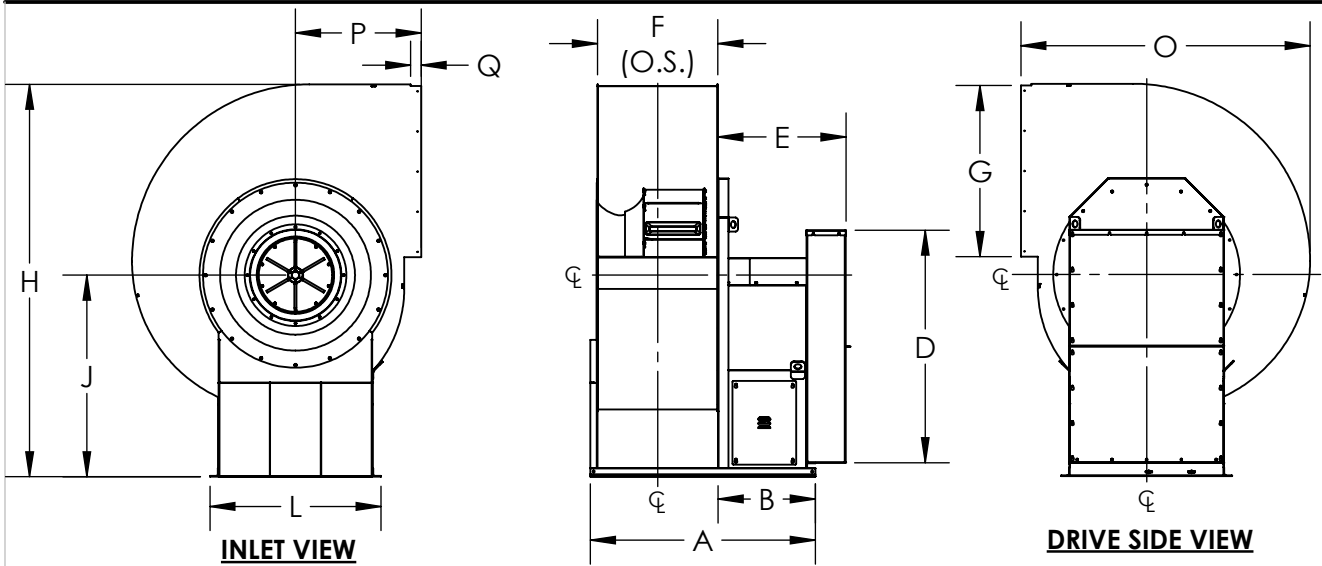
**DIMENSIONAL DATA**

Size	A	B	D	E	F	G	H	J	K	L	N	O	P	Q	T	V	W	X	Z	
60	24	15 3/8	25 1/16	19 1/4	7 1/16	10	29 11/16	18 1/8	9 15/16	15 11/16	11 9/16	21 11/16	11 3/4	5	10 3/4	16 1/8	9 3/16	7 3/4	8 3/8	
70	24	15 3/8	25 1/16	19 1/4	7 1/16	10	29 11/16	18 1/8	9 15/16	15 11/16	11 9/16	21 11/16	11 3/4	5	10 3/4	16 1/8	9 3/16	7 3/4	8 3/8	
80	24	15 3/8	25 1/16	19 1/4	7 1/16	10	29 11/16	18 1/8	9 15/16	15 11/16	11 9/16	21 11/16	11 3/4	5	10 3/4	16 1/8	9 3/16	7 3/4	8 3/8	
100	24	15 3/8	25 1/16	19 1/4	7 1/16	10	29 11/16	18 1/8	9 15/16	15 11/16	11 9/16	21 11/16	11 3/4	5	10 3/4	16 1/8	9 3/16	7 3/4	8 3/8	
122	25	9 1/16	15 3/8	25 1/16	19 3/16	8 5/8	12 1/4	32 3/16	18 1/8	12 1/16	17 11/16	14 1/16	25 1/4	13 3/16	5	13 1/16	18 7/8	11 1/8	9 1/8	10 1/8
135	26	7 1/16	15 3/8	25 1/16	19 1/4	9 1/2	13 1/2	33 9/16	18 1/8	13 1/4	19 3/16	15 7/16	27 3/16	13 15/16	5	14 5/16	20 7/16	12 3/16	10	11 1/8
150	29	1/2	17 3/8	26 11/16	22 1/4	10 9/16	15	36 13/16	19 3/4	14 11/16	19 3/16	17 1/16	29 1/16	14 3/8	4 1/2	15 7/8	21 7/8	13 1/2	11 1/16	12 1/4
165	30	9/16	17 3/8	28 5/16	22 1/4	11 5/8	16 1/2	40 1/8	21 3/8	16 1/8	19 3/16	18 3/4	30 7/16	14 5/16	3 1/2	17 7/16	23	14 3/4	12 1/8	13 7/16
182	31	13/16	17 3/8	30 3/16	22 1/4	12 7/8	18 1/4	43 15/16	23 1/4	17 3/4	19 3/16	20 11/16	32 3/16	14 7/16	2 1/2	19 1/4	24 7/16	16 5/16	13 3/8	14 13/16
200	33	1/16	17 3/8	32 1/8	22 1/4	14 1/8	20	47 3/4	25 1/4	19 7/16	20 7/16	22 5/8	34 15/16	15 1/2	2 1/2	21	26 5/8	17 13/16	14 5/8	16 3/16
222	37	5/8	20 3/8	36 1/4	26 1/2	15 11/16	22 1/4	52 3/4	27 3/4	21 9/16	22 11/16	25 1/8	38 7/16	16 15/16	2 1/2	23 5/16	29 3/8	19 3/4	16 3/16	18
245	39	3/16	20 3/8	38 3/4	26 1/2	17 1/4	24 1/2	57 13/16	30 1/4	23 11/16	23 7/16	27 9/16	42	18 5/16	2 1/2	25 5/8	32 1/8	21 11/16	17 13/16	19 3/4
270	44		23 3/8	41 1/2	29 1/2	19 1/16	27	63 3/8	33	26	24 15/16	30 3/8	45 15/16	19 7/8	2 1/2	28 3/16	35 3/16	23 7/8	19 9/16	21 11/16
300	48	3/8	25 1/8	46 3/16	31 1/4	21 3/16	30	70 9/16	36 7/8	28 7/8	27 1/4	33 11/16	50 5/8	21 3/4	2 1/2	31 1/4	38 13/16	26 1/2	21 11/16	24 1/16
330	52	13/16	27 1/2	51 1/16	36 1/8	23 1/4	33	77 1/8	40 1/8	31 11/16	30 1/4	37	55 3/8	23 5/8	2 1/2	34 5/16	42 1/2	29 1/16	23 3/4	26 7/16
365	55	5/16	27 1/2	54 15/16	36 1/8	25 3/4	36 1/2	84 7/8	44	35	32 1/4	40 7/8	60 7/8	25 13/16	2 1/2	37 15/16	46 13/16	32 1/16	26 1/4	29 3/16
402	57	15/16	27 1/2	59 1/16	36 1/8	28 7/16	40 1/4	93 1/8	48 1/8	38 9/16	36 1/4	45	66 3/4	28 3/16	2 1/2	41 3/4	51 3/8	35 5/16	28 7/8	32 1/8

ALL DIMENSIONS ARE IN INCHES

REVISION: \_\_\_\_\_ FORM: \_\_\_\_\_ REPLACES: \_\_\_\_\_

UVS-ARRANGEMENT- 10  
 UTILITY VENT SET 445-542

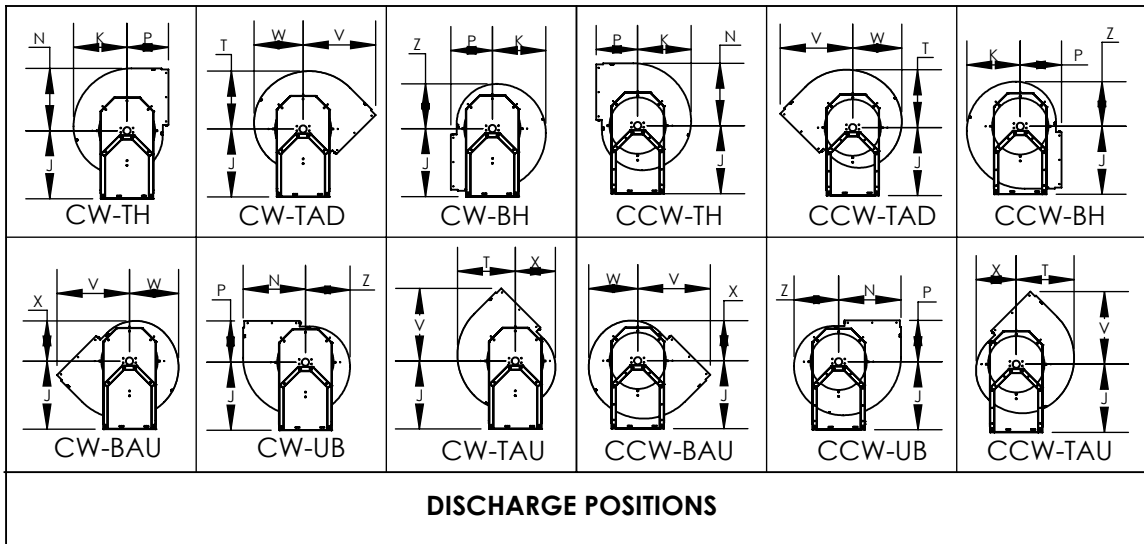


**STANDARD CONSTRUCTION:**

1. Welded Housing
2. Aluminum Wheel
3. Welded Pedestal
4. Adjustable Motor Base Assembly
5. 100K L10 Life Bearings
6. 1045 TG&P Shaft
7. Slip Outlet
8. Open Inlet
9. Motors: Premium Efficient & GPLus

**OPTIONAL ACCESSORIES :**

1. 200K L10 Life Bearings
2. Weather Cover (shown in illustration)
3. Slip and Flanged Inlet
4. Inlet/Outlet Companion Flange
5. Flanged Outlet
6. Vibration Isolators & Rails
7. Shaft Seal
8. Inlet Wire Guard & Outlet screen
9. Piezo Ring & Pressure Transducer
10. Disconnect Switch



**DISCHARGE POSITIONS**

**DIMENSIONAL DATA**

Size	A	B	D	E	F	G	H	J	K	L	N	O	P	Q	T	V	W	X	Z
445	61 5/16	27 15/16	64 1/16	36 1/8	31 3/8	44 1/2	102 7/16	52 3/4	42 9/16	45	49 11/16	75 5/16	32 3/4	3	46 1/16	57 15/16	38 3/4	31 5/8	34 3/8
490	64 7/16	27 15/16	69 1/16	36 1/8	34 1/2	49	112 7/16	57 3/4	46 13/16	49	54 11/16	82 13/16	36	3	50 3/4	63 3/4	42 7/8	35	39
542	68 3/16	27 15/16	74 13/16	36 1/8	38 1/4	54 1/4	124	63 1/2	51 13/16	54	60 1/2	91 3/4	40	3	56 1/8	71	47 7/16	38 3/4	43 1/8

ALL DIMENSIONS ARE IN INCHES

REVISION:

FORM:

REPLACES: