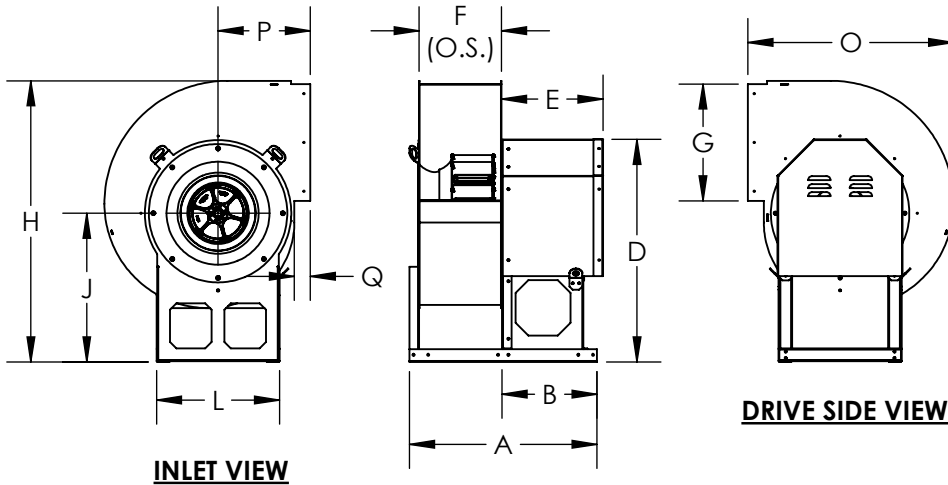




DATE: TAG:
 JOB:
 PROJECT:
 COMPANY:
 SALES PERSON:

UVS-ARRANGEMENT- 4
 UTILITY VENT SET

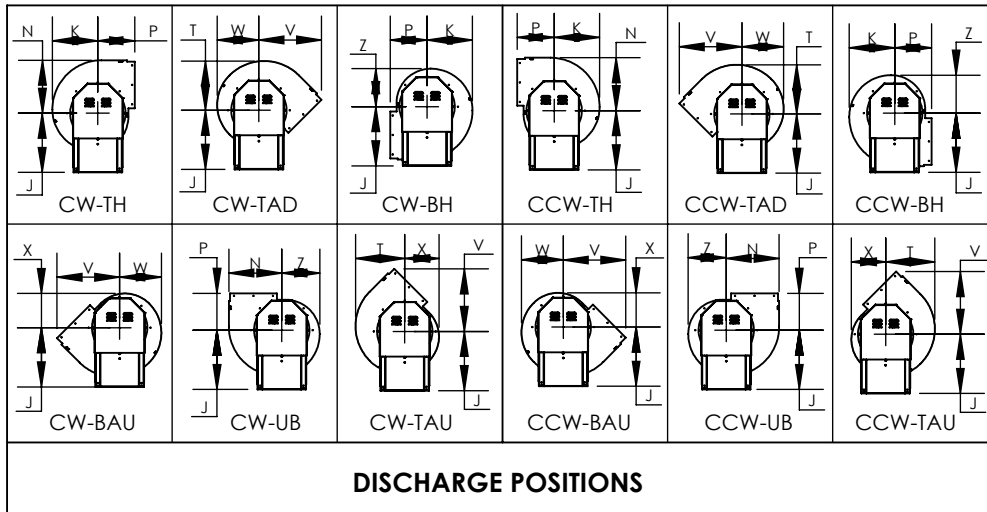


STANDARD CONSTRUCTION:

1. Welded Housing
2. Aluminum Wheel
3. Galvanized and Bolted Pedestal
4. Slip Outlet
5. Open Inlet
6. Motors: Premium Efficient & GPlus

OPTIONAL ACCESSORIES:

1. Weather/Motor Cover (shown in illustration)
2. Slip and Flanged Inlet
3. Inlet/Outlet Companion Flange
4. Flanged Outlet
5. Vibration Isolators
6. Vibration Rails
7. Shaft Seal
8. Inlet Wire Guard
9. Outlet Screen
9. Piezo Ring
10. Pressure Transducer
11. Disconnect Switch



DIMENSIONAL DATA

Size	A	B	D	E	F	G	H	J	L	Q	O	P	K	N	V	W	T	X	Z
60	22 3/4	14 1/8	25 1/4	14 7/8	7 1/16	10	29 11/16	18 1/8	15 3/4	5	21 11/16	11 3/4	9 15/16	11 9/16	16 1/8	9 3/16	10 3/4	7 3/4	8 3/8
70	22 3/4	14 1/8	25 1/4	14 7/8	7 1/16	10	29 11/16	18 1/8	15 3/4	5	21 11/16	11 3/4	9 15/16	11 9/16	16 1/8	9 3/16	10 3/4	7 3/4	8 3/8
80	22 3/4	14 1/8	25 1/4	15 5/8	7 1/16	10	29 11/16	18 1/8	15 3/4	5	21 11/16	11 3/4	9 15/16	11 9/16	16 1/8	9 3/16	10 3/4	7 3/4	8 3/8
100	22 3/4	14 1/8	25 1/4	15 5/8	7 1/16	10	29 11/16	18 1/8	15 3/4	5	21 11/16	11 3/4	9 15/16	11 9/16	16 1/8	9 3/16	10 3/4	7 3/4	8 3/8
122	24 5/16	14 1/8	26 3/8	15 5/8	8 5/8	12 1/4	32 3/16	18 1/8	17 3/4	5	25 1/4	13 3/16	12 1/16	14 1/16	18 7/8	11 1/8	13 1/16	9 1/8	10 1/8
135	25 15/16	14 3/4	27	15 5/8	9 1/2	13 1/2	33 9/16	18 1/8	19 1/4	5	27 3/16	13 15/16	13 1/4	15 7/16	20 7/16	12 3/16	14 5/16	10	11 1/8
150	27	14 3/4	29 3/8	15 5/8	10 9/16	15	36 13/16	19 3/4	19 1/4	4 1/2	29 1/16	14 3/8	14 11/16	17 1/16	21 7/8	13 1/2	15 7/8	11 1/16	12 1/4
165	28 1/16	14 3/4	32 1/16	15 5/8	11 5/8	16 1/2	40 1/8	21 3/8	19 1/4	3 1/2	30 7/16	14 5/16	16 1/8	18 3/4	23	14 3/4	17 7/16	12 1/8	13 7/16
182	29 5/16	14 3/4	34 3/4	15 5/8	12 7/8	18 1/4	43 15/16	23 1/4	19 1/4	2 1/2	32 3/16	14 7/16	17 3/4	20 11/16	24 7/16	16 5/16	19 1/4	13 3/8	14 13/16
200	30 9/16	14 3/4	37 5/8	15 5/8	14 1/8	20	47 3/4	25 1/4	20 1/2	2 1/2	34 15/16	15 1/2	19 7/16	22 5/8	26 5/8	17 13/16	21	14 5/8	16 3/16
222	33 5/8	16 5/16	41 9/16	17 1/8	15 11/16	22 1/4	52 3/4	27 3/4	22 3/4	2 1/2	38 7/16	16 15/16	21 9/16	25 1/8	29 3/8	19 3/4	23 5/16	16 3/16	18
245	35 3/16	16 5/16	45 1/16	17 1/8	17 1/4	24 1/2	57 13/16	30 1/4	23 1/2	2 1/2	42	18 5/16	23 11/16	27 9/16	32 1/8	21 11/16	25 5/8	17 13/16	19 3/4
270	37	16 5/16	49 1/16	17 1/8	19 1/16	27	63 3/8	33	25	2 1/2	45 15/16	19 7/8	26	30 3/8	35 3/16	23 7/8	28 3/16	19 9/16	21 11/16

ALL DIMENSIONS ARE IN INCHES

REVISION:	FORM:	REPLACES:
-----------	-------	-----------