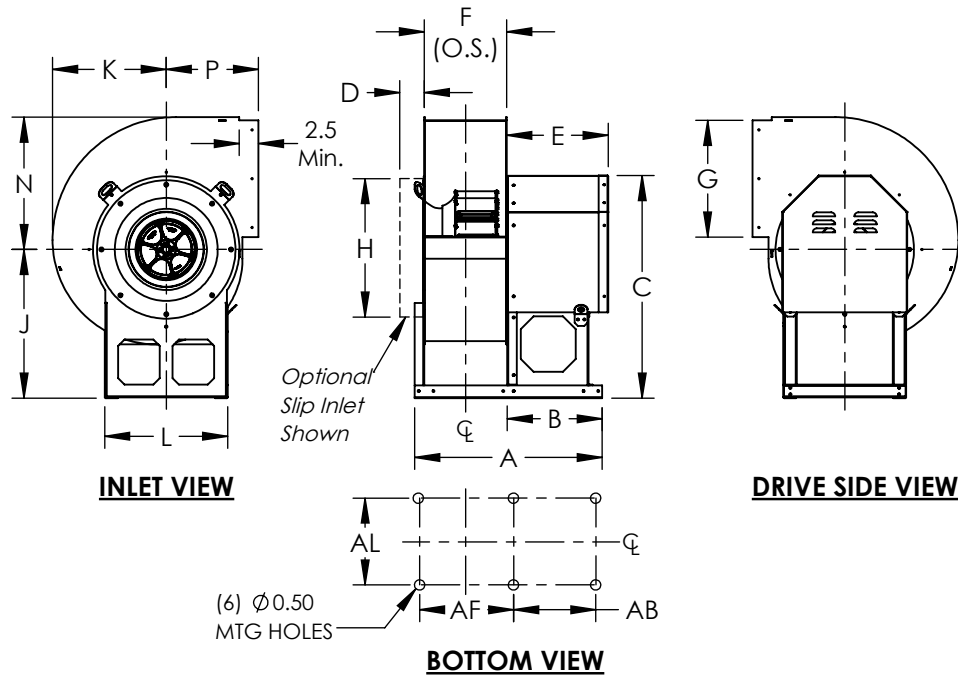




DATE: TAG:
 JOB:
 PROJECT:
 COMPANY:
 SALES PERSON:

UVS1 CLASS 0 ARRANGEMENT 4
 UTILITY VENT SET

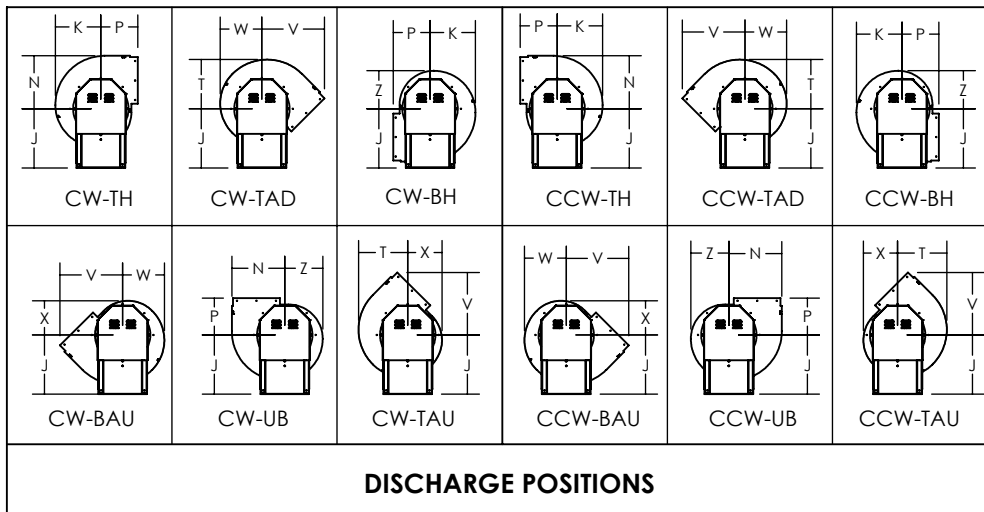


STANDARD CONSTRUCTION:

1. Welded Housing
2. Aluminum Wheel
3. Galvanized and Bolted Pedestal
4. Slip Outlet
5. Open Inlet
6. Motors: Premium Efficient & GPlus

OPTIONAL ACCESSORIES:

1. Weather/Motor Cover (shown in illustration)
2. Slip and Flanged Inlet
3. Inlet/Outlet Companion Flange
4. Flanged Outlet
5. Vibration Isolators
6. Vibration Rails
7. Shaft Seal
8. Inlet Wire Guard
9. Outlet Screen
9. Piezo Ring
10. Pressure Transducer
11. Disconnect Switch



DIMENSIONAL DATA

Size	A	B	C	D	E	F	G	H	J	K	L	N	P	T	V	W	X	Z	AB	AF	AL	WT. (lbs)	MAX. RPM	MAX. MTR
60	22.75	14.06	25.25	3.19	14.88	7.06	10.00	14.13	18.13	9.94	15.75	11.56	11.75	10.76	16.13	9.16	7.88	8.38	12.56	8.63	13.69	91	2680	56
70	22.75	14.06	25.25	3.19	14.88	7.06	10.00	14.13	18.13	9.94	15.75	11.56	11.75	10.76	16.13	9.16	7.88	8.38	12.56	8.63	13.69	91	2680	56
80	22.75	14.06	25.25	3.19	15.63	7.06	10.00	14.13	18.13	9.94	15.75	11.56	11.75	10.76	16.13	9.16	7.88	8.38	12.56	8.63	13.69	90	2680	56
100	22.75	14.06	25.25	3.19	15.63	7.06	10.00	14.13	18.13	9.94	15.75	11.56	11.75	10.76	16.13	9.16	7.88	8.38	12.56	8.63	13.69	89	2680	56
122	24.31	14.06	26.38	3.19	15.63	8.63	12.25	16.39	18.13	12.06	17.75	14.06	13.19	13.06	18.88	11.13	9.13	10.13	12.56	10.19	15.69	109	2600	145T
135	25.94	14.81	27.00	3.19	15.63	9.50	13.50	17.63	18.13	13.25	19.25	15.44	13.94	14.31	20.44	12.19	10.00	11.13	13.31	11.06	17.19	122	2332	145T
150	27.00	14.81	29.38	3.19	15.63	10.56	15.00	19.13	19.75	14.69	19.25	17.06	14.38	15.88	21.88	13.50	11.06	12.31	13.31	12.13	17.19	136	2099	145T
165	28.06	14.81	32.06	3.19	15.63	11.63	16.50	21.19	21.38	16.13	19.25	18.75	14.31	17.44	23.06	14.75	12.13	13.44	13.31	13.19	17.19	149	2000	184T
182	29.31	14.81	34.75	3.19	15.63	12.88	18.25	22.89	23.25	17.75	19.25	20.69	14.44	19.19	24.44	16.31	13.38	14.81	13.31	14.44	17.19	164	1670	184T
200	30.56	14.81	37.63	3.69	15.63	14.13	20.00	24.63	25.25	19.44	20.50	22.63	15.50	21.00	26.63	17.81	14.63	16.19	13.31	15.69	18.44	199	1434	184T
222	33.63	16.31	41.56	3.69	17.13	15.69	22.25	27.44	27.75	21.56	22.75	25.13	16.94	23.31	29.38	19.75	16.19	18.00	14.81	17.25	20.69	241	1429	215T
245	35.19	16.31	45.06	3.69	17.13	17.25	24.50	29.44	30.25	23.69	23.50	27.56	18.31	25.63	32.13	21.69	17.81	19.75	14.81	18.81	21.44	281	1388	215T
270	37.00	16.31	49.06	3.69	17.13	19.06	27.00	31.94	33.00	26.06	25.00	30.38	19.88	28.19	35.19	23.88	19.56	21.69	14.81	20.63	22.94	327	1138	215T

ALL DIMENSIONS ARE IN INCHES, WEIGHTS ARE APPROXIMATE AND DOES NOT INCLUDE DRIVES OR ACCESSORIES.

REVISION:

FORM:

REPLACES: