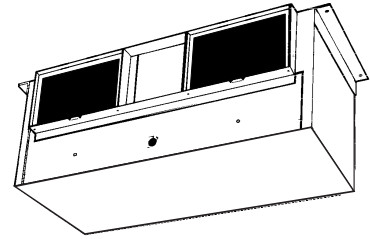




PENNBARRY™

# SPECIFICATION SHEET

## IN-LINE VENTILATOR MODEL ZQ2005N



### FEATURES

#### BLOWER:

- Low RPM for quiet operation
- Resilient anti-vibration mounts
- Dynamically-balanced, polymeric, centrifugal blower wheel for quiet, efficient performance
- Permanently lubricated, thermally protected motor
- Plug-in motor rated at 120 VAC
- Designed for continuous operation

#### HOUSING:

- Rugged galvanized steel
- May be installed in ceiling or wall (size permitting)
- Acoustic insulation inside
- 8-position mounting brackets for easy installation and greater adaptability to various mounting requirements
- Factory-shipped in horizontal discharge position - may be converted to vertical discharge

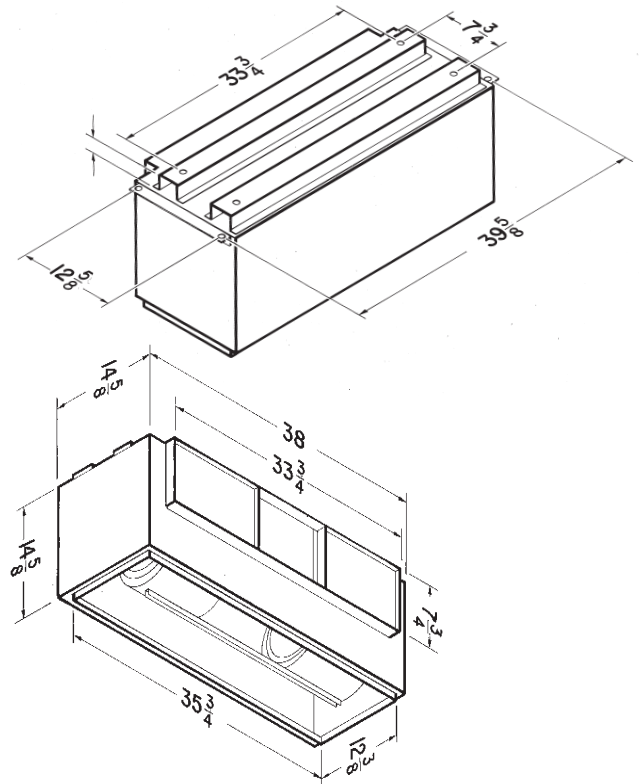
#### CONTROLS:

- Model CD60W 60-Minute Time Control
- Electronic Variable Speed Control
- 72W (White) 6-Amp, 120 VAC

#### ACCESSORIES:

- Model G102 Grille Kit for ceiling applications
- Model SD100 Damper Kit with twin backdraft flaps
- Model V104 Vibration Damper Hangers - 4 per set

### DIMENSIONS



PennBarry | 605 Shiloh Rd. Plano, TX 75074 | 1 972-212-4700 | www.pennbarry.com

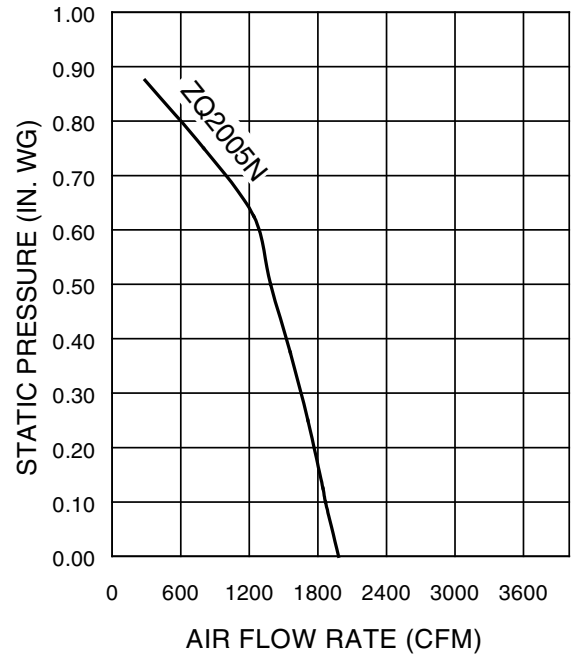
| REFERENCE | QTY. | REMARKS | Project      |
|-----------|------|---------|--------------|
|           |      |         | Location     |
|           |      |         | Architect    |
|           |      |         | Engineer     |
|           |      |         | Contractor   |
|           |      |         | Submitted by |
|           |      |         | Date         |

# PERFORMANCE RATINGS - IN-LINE VENTILATOR MODEL ZQ2005N

## AMCA LICENSED PERFORMANCE

| CFM / SONES - AT STATIC PRESSURES (Ps - inches of H <sub>2</sub> O) |                 |                |         |         |          |          |          |         |          |          |          |         |             |              |       |  |
|---|-----------------|----------------|---------|---------|----------|----------|----------|---------|----------|----------|----------|---------|-------------|--------------|-------|--|
| MODEL NO.   | NOMINAL VOLTAGE |                | 0.0" Ps | .10" Ps | .125" Ps | .250" Ps | .375" Ps | .50" Ps | .625" Ps | .750" Ps | .875" Ps | 1.0" Ps | NOMINAL RPM | AMPS @ 60 Hz | WATTS |  |
| ZQ2005N   | 120 VAC         | CFM St. Thr.   | 1891    | 1803    | 1791     | 1657     | 1508     | 1347    | 1165     | 808      | 284      |         | 965         | 5.8          | 590   |  |
|   |                 | SONES St. Thr. | 10.3    | 9.8     | 9.4      | 9.0      | 8.6      | 9.1     | 8.9      | 7.0      | 6.7      |         |             |              |       |  |
|   |                 | CFM Rt. Ang.   | 2070    | 1931    | 1898     | 1769     | 1609     | 1424    | 1314     | 795      | 288      |         | 1020        | 5.8          | 635   |  |
|   |                 | SONES Rt. Ang. | 11.1    | 10.3    | 10.1     | 9.7      | 9.4      | 9.2     | 8.5      | 7.0      | 6.7      |         |             |              |       |  |

Performance ratings include the effects of inlet grille and backdraft damper in the airstream. Speed (RPM) shown is nominal. Performance is based on actual speed of test. The sound ratings shown are loudness values in fan sones at 5' (1.5m) in a hemispherical free field calculated per AMCA Std. 301. Values shown are for Installation Type B: Free inlet fan sone levels. Performance shown is for Installation Type B: Free inlet, Ducted outlet.



## WEIGHT

| MODEL NO. | SHIPPING WT. |
|-----------|--------------|
| ZQ2005N   | 89 lbs.      |