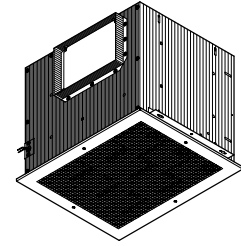




PENNBARRY™

SPECIFICATION SHEET

CEILING MOUNT VENTILATORS ZQ905, ZQ1505 SERIES



FEATURES

GRILLE:

- Conceals interior
- Low profile styling blends with any decor
- Metal, finished with white painted enamel

BLOWER:

- Low RPM for quiet operation
- Resilient anti-vibration mounts
- Dynamically-balanced, polymeric, centrifugal blower wheel for quiet, efficient performance
- Permanently lubricated, thermally protected motor
- Plug-in motor rated at 120 VAC
- Designed for continuous operation

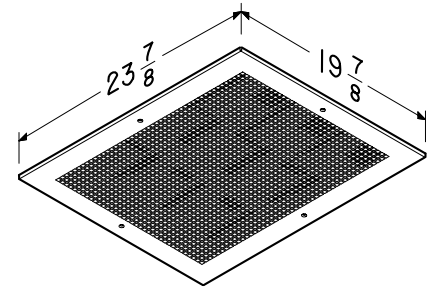
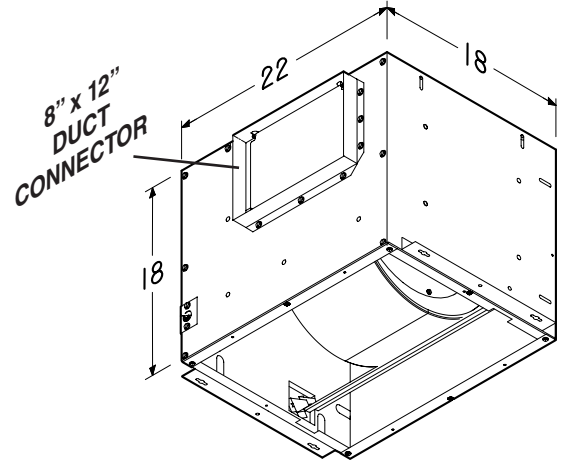
HOUSING:

- Rugged, 20 gauge galvanized steel
- 1/2" acoustic insulation inside
- May be installed in ceiling or wall (size permitting)
- 8-position mounting brackets for easy installation and greater adaptability to various mounting requirements
- Automatic backdraft damper located within duct connector
- Factory-shipped in horizontal discharge position for 8" x 12" ductwork
- May be converted to vertical discharge

ACCESSORIES (purchase all separately):

- SC100W 3-Amp electronic variable speed control
- CD60W 60-Minute Time Control
- Model 80L Electronic Speed Control (Internal) (For use with ZQ905 Series only.)
- 6-Amp, Electronic Variable Speed Control Model 72W (120 VAC)
- Model T81212 Transition (8" x 12" to 12" round)
- Model RD3 Radiation Damper

DIMENSIONS



PennBarry | 605 Shiloh Rd. Plano, TX 75074 | 1 972-212-4700 | www.pennbarry.com

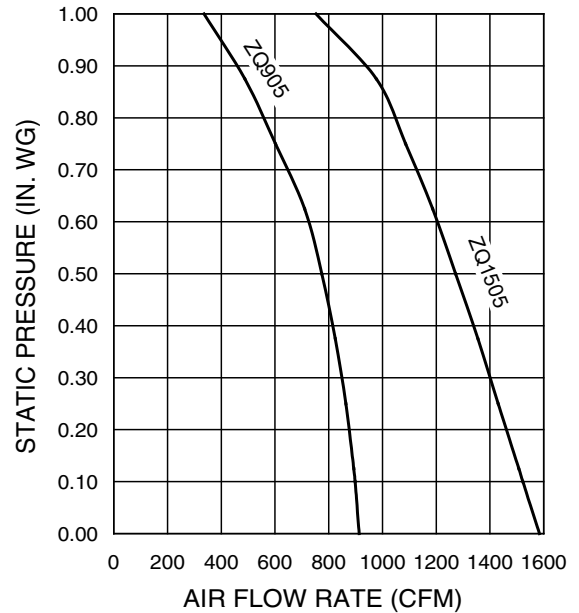
REFERENCE	QTY.	REMARKS	Project
			Location
			Architect
			Engineer
			Contractor
			Submitted by
			Date

PERFORMANCE RATINGS - CEILING MOUNT VENTILATORS ZQ905, ZQ1505 SERIES

AMCA LICENSED PERFORMANCE

CFM / SONES - AT STATIC PRESSURES (Ps - inches of H ₂ O)															
MODEL NO.	NOMINAL VOLTAGE		0.0" Ps	.10" Ps	.125" Ps	.250" Ps	.375" Ps	.50" Ps	.625" Ps	.750" Ps	.875" Ps	1.0" Ps	NOMINAL RPM	AMPS @ 60 Hz	WATTS
ZQ905	120 VAC	CFM Hor.	918	905	901	877	842	793	725	636	536	390	650	3.0	306
		SONES Hor.	3.8	4.0	4.1	4.0	4.2	4.3	4.4	4.9	4.5	5.3			
ZQ905	120 VAC	CFM Ver.	909	892	885	850	807	756	695	568	440	282	650	3.0	306
		SONES Ver.	3.8	3.4	3.4	3.5	3.6	3.7	3.9	4.2	4.3	4.4			
ZQ1505	120 VAC	CFM Hor.	1578	1526	1513	1438	1371	1285	1198	1103	1000	816	955	5.0	468
		SONES Hor.	8.6	8.4	8.4	8.1	7.5	7.0	6.7	6.2	5.8	5.8			
ZQ1505	120 VAC	CFM Ver.	1590	1519	1502	1423	1340	1259	1176	1069	954	689	955	5.0	468
		SONES Ver.	8.5	8.4	8.4	8.1	7.9	7.5	7.2	7.1	6.9	6.5			

Performance ratings include the effects of inlet grille and backdraft damper in the airstream. Speed (RPM) shown is nominal. Performance is based on actual speed of test. The sound ratings shown are loudness values in fan sones at 5' (1.5m) in a hemispherical free field calculated per AMCA Std. 301. Values shown are for Installation Type B: Free inlet fan sone levels. Performance shown is for Installation Type B: Free inlet, Ducted outlet.



WEIGHT

MODEL NO.	SHIPPING WT.
ZQ905	64.2 lbs.
ZQ1505	64.3 lbs.