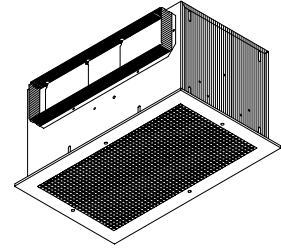




PENNBARRY™

SPECIFICATION SHEET

CEILING MOUNT VENTILATORS ZQ405, ZQ505, ZQ705 SERIES



FEATURES

GRILLE:

- Conceals interior
- Low profile styling blends with any decor
- Metal, finished with white painted enamel

BLOWER:

- Low RPM for quiet operation
- Resilient anti-vibration mounts
- Balanced, polymeric, centrifugal blower wheel for quiet, efficient performance
- Permanently lubricated, thermally protected motor
- Plug-in motor rated at 120 VAC
- Designed for continuous operation

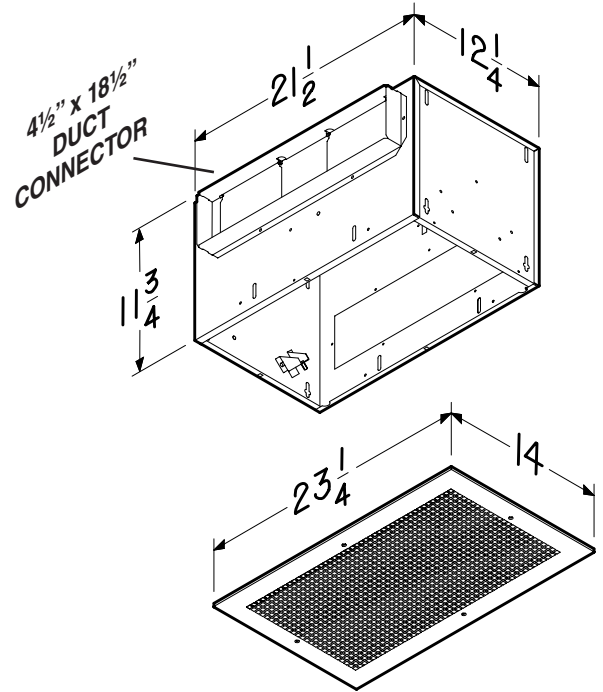
HOUSING:

- Rugged, 20 gauge galvanized steel
- 4½" x 18½" duct connector
- 1/2" acoustic insulation inside
- May be installed in ceiling or wall (size permitting)
- 8-position mounting brackets for easy installation and greater adaptability to various mounting requirements
- Automatic backdraft damper located within duct connector
- Factory-shipped in horizontal discharge position - easily converted to vertical discharge

ACCESSORIES (purchase all separately):

- SC100W 3-Amp Electronic Variable Speed Control
- CD60W 60-Minute Time Control
- Model 80L Electronic Speed Control (Internal)
- Model 423 Transition (4½" x 18½" to 10" round)
- Model RD2 Radiation Damper

DIMENSIONS



PennBarry | 605 Shiloh Rd. Plano, TX 75074 | 1 972-212-4700 | www.pennbarry.com

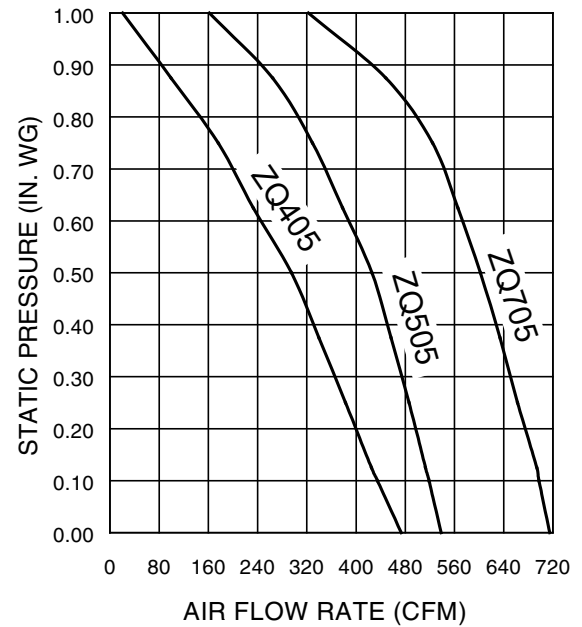
REFERENCE	QTY.	REMARKS	Project
			Location
			Architect
			Engineer
			Contractor
			Submitted by Date

PERFORMANCE RATINGS - CEILING MOUNT VENTILATORS ZQ405, ZQ505, ZQ705 SERIES

AMCA LICENSED PERFORMANCE

CFM / SONES - AT STATIC PRESSURES (Ps - inches of H ₂ O)																
MODEL NO.	NOMINAL VOLTAGE		0.0" Ps	.10" Ps	.125" Ps	.250" Ps	.375" Ps	.50" Ps	.625" Ps	.750" Ps	.875" Ps	1.0" Ps	NOMINAL RPM	AMPS @ 60 Hz	WATTS	
ZQ405	120 VAC	CFM Hor.	480	442	434	388	344	299	229	182	114	33	735	1.4	146	
		SONES Hor.	2.0	2.4	2.3	2.8	3.3	3.8	4.5	4.8	5.4	5.6				
		CFM Ver.	467	428	416	378	335	291	237	170	85	8	755	1.4	146	
		SONES Ver.	2.3	2.6	2.6	3.0	3.5	4.0	5.1	5.5	5.7	5.9				
ZQ505	120 VAC	CFM Hor.	538	520	514	491	463	434	389	339	282	186	810	2.2	232	
		SONES Hor.	3.0	3.1	3.3	3.6	4.0	4.4	5.0	5.7	6.2	6.7				
		CFM Ver.	539	517	512	481	451	418	367	319	247	137	865	2.2	232	
		SONES Ver.	2.9	3.1	3.2	3.4	3.8	4.2	4.8	5.9	6.3	6.4				
ZQ705	120 VAC	CFM Hor.	722	704	701	667	640	607	571	534	453	333	960	2.9	313	
		SONES Hor.	4.5	4.6	4.7	4.8	5.0	5.2	5.6	6.2	7.1	7.2				
		CFM Ver.	708	691	687	658	628	597	560	515	444	312	985	2.9	313	
		SONES Ver.	5.2	5.0	5.0	5.7	5.8	6.1	6.4	7.4	7.1	7.6				

Performance ratings include the effects of inlet grille and backdraft damper in the airstream. Speed (RPM) shown is nominal. Performance is based on actual speed of test. The sound ratings shown are loudness values in fan sones at 5' (1.5m) in a hemispherical free field calculated per AMCA Std. 301. Values shown are for Installation Type B: Free inlet fan sone levels. Performance shown is for Installation Type B: Free inlet, Ducted outlet.



WEIGHT

MODEL NO.	SHIPPING WT.
ZQ405, ZQ505	33.8 lbs.
ZQ705	33.9 lbs.