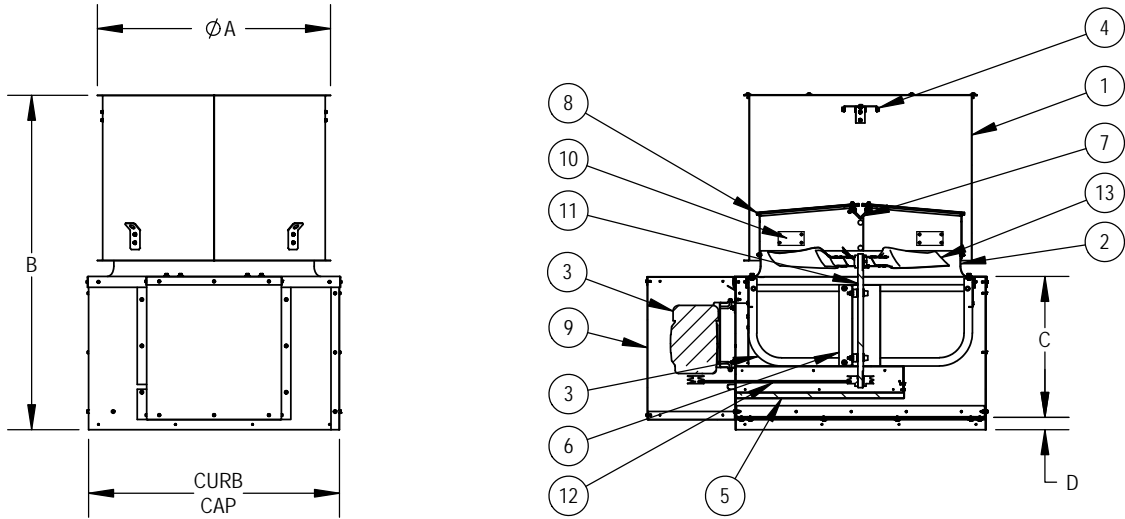


RAUMO MODELS 20 THRU 60



ALL DIMENSIONS IN INCHES.

DIMENSIONAL DATA

| MODEL | A | B | C | D | CURB CAP |
|-------|-------|-------|-------|------|----------|
| 20 | 28.25 | 46.88 | 21.75 | 2.25 | 29.50 |
| 24 | 30.50 | 49.75 | 21.75 | 2.25 | 33.50 |
| 30 | 38.50 | 56.38 | 25.75 | 2.25 | 39.50 |
| 36 | 42.50 | 61.00 | 25.75 | 2.25 | 45.50 |
| 42 | 50.75 | 65.00 | 25.75 | 2.25 | 51.50 |
| 48 | 57.00 | 69.00 | 25.75 | 2.25 | 57.50 |
| 54 | 61.88 | 74.88 | 27.50 | 2.25 | 66.00 |
| 60 | 70.88 | 80.63 | 29.25 | 2.25 | 72.00 |

LEGEND

| | | |
|--|-----------------------------|------------------------|
| 1 PROTECTIVE WINDBAND(RIBBED REINFORCED) | 6 DRIVE SUPPORT ASSEMBLY | 10 SUPPORTING BRACKET |
| 2 SPUN INLET VENTURI | 7 DRAINAGE GUTTER | 11 FAN SHAFT & BEARING |
| 3 MOTOR | 8 BUTTERFLY DAMPER ASSEMBLY | 12 BELT & PULLEY |
| 4 DAMPER STOP-RUBBER CUSHIONED | 9 MOTOR WEATHER COVER | 13 PROPELLER (HP & LP) |
| 5 BELT & BEARING ENCLOSURE WITH AIR GUIDE (OPTIONAL) | | |

FEATURES

- Galvanized Steel Construction
- AMCA certified Air and Sound Performance.
- Exhaust or Supply application.
- All propeller statically and dynamically balanced.
- Complies with AMCA Standard 204-96.
- UL 705 Certified

OPTIONS

REVISION:

FORM:

REPLACES: