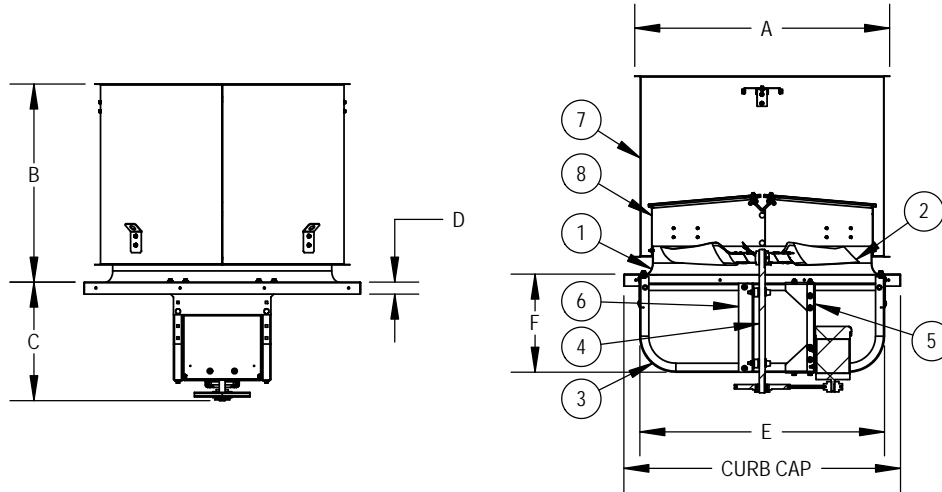


RAU MODELS 20 THRU 60



ALL DIMENSIONS IN INCHES.

DIMENSIONAL DATA

MODEL	A	B	C	D	E	F	CURB CAP
20	28.25	22.88	16.38	2.00	23.38	12.38	30.00
24	30.50	25.75	15.88	2.00	28.13	12.38	34.00
30	38.50	28.50	19.88	2.00	34.50	16.38	40.00
36	42.50	33.00	19.75	2.00	41.00	19.75	46.00
42	50.75	37.00	19.75	2.00	47.50	16.38	52.00
48	57.00	41.13	21.00	2.00	53.50	17.50	58.00
54	61.88	45.13	22.63	2.00	61.00	19.00	66.50
60	70.88	49.25	23.00	2.00	67.00	19.00	72.50

LEGEND

1 VENTURI PANEL	4 SHAFT & BEARING	7 WINDBAND ASSEMBLY
2 PROPELLER (HP & LP)	5 MOTOR MOUNT ASSEMBLY	8 DAMPER ASSEMBLY
3 STRUCTURE ASSEMBLY	6 BEARING MOUNTING PLATE	

FEATURES

- Galvanized Steel Construction
- All propeller statically and dynamically balanced.
- AMCA certified Air and Sound Performance.
- Complies with AMCA Standard 204-96.
- Exhaust or Supply application.
- UL 705 Certified

OPTIONS

REVISION:

FORM:

REPLACES: