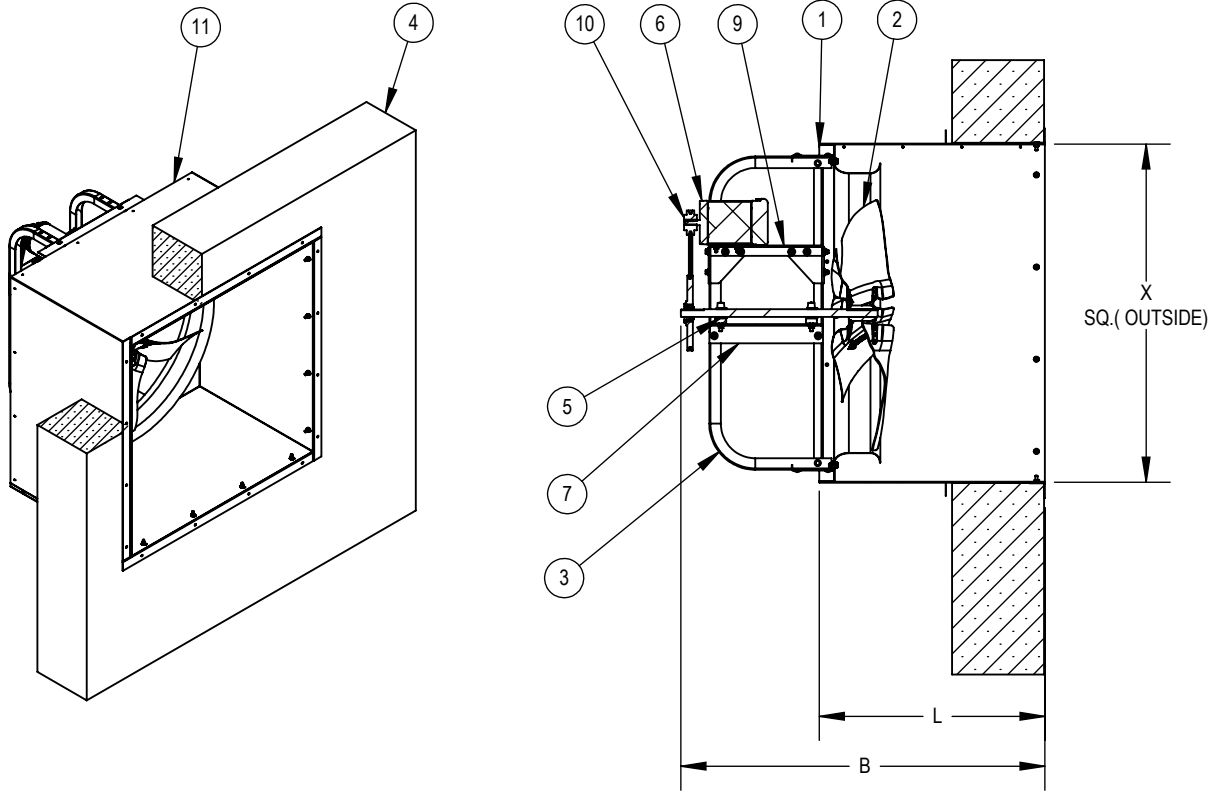


LWP WALL COLLAR
MODELS LWP 20 THRU LWP 60



LEGEND

- | | | |
|----------------------|--------------------------|---------------------------------|
| 1 VENTURI PANEL | 5 DRIVE SHAFT & BEARINGS | 9 MOTOR MOUNTING PLATE |
| 2 PROPELLER | 6 MOTOR | 10 PULLEYS |
| 3 STRUCTURE ASSEMBLY | 7 BEARING MOUNTING PLATE | 11 GALVANIZED STEEL WALL COLLAR |
| 4 WALL (BY OTHERS) | | |

DIMENSIONAL DATA

MODEL	X SQ(OUTSIDE)	L	B
20	26 5/16	27 3/4	43
24	32 5/16	28 5/8	44.820
30	38 5/16	29 1/8	49 1/16
36	44 5/16	30 3/8	50 5/16
42	50 5/16	31 5/8	51 9/16
48	56 5/16	34 1/4	55 5/16
54	62 5/8	35 3/8	57 7/8
60	68 5/8	36 7/8	59 3/4

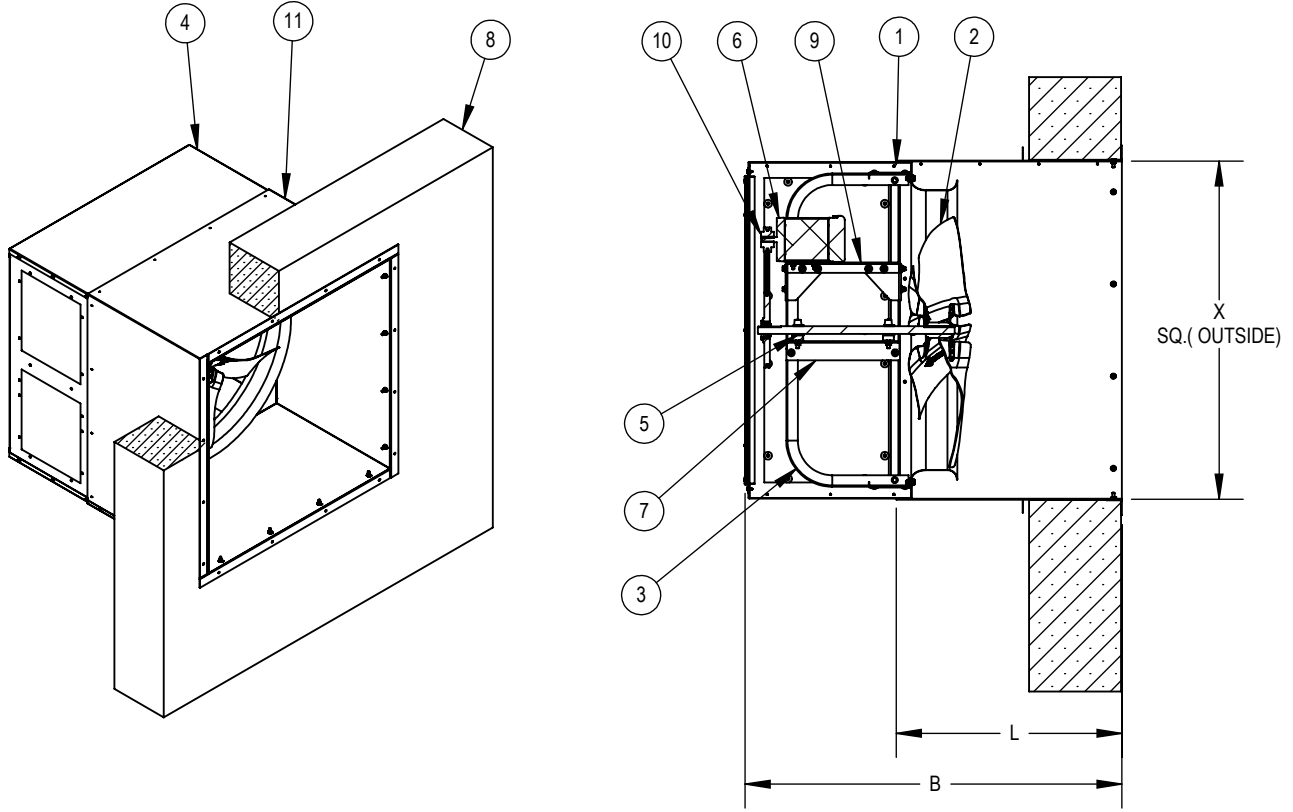
ALL DIMENSIONS IN INCHES.

REVISION:

FORM:

REPLACES:

LWP WALL COLLAR W/REAR GUARD
MODELS LWP 20 THRU LWP 60



LEGEND

- | | | |
|-------------------------------|--------------------------|---------------------------------|
| 1 VENTURI PANEL | 5 DRIVE SHAFT & BEARINGS | 9 MOTOR MOUNTING PLATE |
| 2 PROPELLER | 6 MOTOR | 10 PULLEYS |
| 3 STRUCTURE ASSEMBLY | 7 BEARING MOUNTING PLATE | 11 GALVANIZED STEEL WALL COLLAR |
| 4 GALVANIZED STEEL REAR GUARD | 8 WALL (BY OTHERS) | |

DIMENSIONAL DATA

MODEL	X SQ(OUTSIDE)	L	B
20	26 5/16	27 3/4	42 5/8
24	32 5/16	28 5/8	43 1/2
30	38 5/16	29 1/8	47 7/8
36	44 5/16	30 3/8	49 1/8
42	50 5/16	31 5/8	50 3/8
48	56 5/16	34 1/4	53 3/4
54	62 5/8	35 3/8	56 1/2
60	68 5/8	36 7/8	58 1/4

ALL DIMENSIONS IN INCHES.

REVISION:

FORM:

REPLACES: